



LP SERIES

Multi-Bag Filter Housings

- Multi-Bag Filter Housing
- ASME Design/Non-Code
- SS304 and SS316 are NSF/ANSI/CAN 61 certified

Economic multi-purpose ASME code ("U" & "UM") and non-code design bag filter housings.



SUITABLE USES



Air & Gas



Desalination



Coolant



Water



Electronics



Coatings



Oil & Gas



Chemical



Pulp & Paper



Power



Marine



Equipment

MEDIA

Accepts multiple double length (P2) bags.

DESIGN PRESSURE

150 psig (10.3bar) @ 250°F (121.1°C).

AVAILABLE MATERIALS

Carbon or Stainless Steel 304 or 316*. Also available in LDX2101, C276, AL6XN, 2205, 2507 & Monel 400.

*NSF/ANSI/CAN 61 certification available for SS304 and SS316 (S4LP/S6LP).

ADDITIONAL FEATURES

Allows for easy filter bag removal without ladders or platforms to change filter bags.

Swing bolt closure allows for quick bag change out.



Certified to NSF/ANSI/CAN 61

Custom sizes, configurations, materials of construction and other options may be available. Please contact Fil-Trek.

For drawings, flow charts, custom applications and filter cartridge information please visit www.fil-trek.com.

LP SERIES

Multi-Bag Filter Housings

- Multi-Bag Filter Housing
- ASME Design/Non-Code



HOUSING SPECIFICATIONS

*Indicates standard configuration

Inlet/Outlet	2" Flange - 18" Flange
Dirty Drain	½" NPT on all sizes*
Clean Drain	2" NPT on all sizes*
Vent	½" NPT on all sizes*
Gauges	½" NPT on all sizes*
Basket	1/4" perforated plate* *Other basket options available
Headlift	Mechanical Davit (std) for up to LP38* Hydraulic Davit on LP40 and larger*
Legs	Angle Iron Legs with footpads*
Closure	Swing bolt closure*
Standard Pressure	150 PSI
Standard Temperature	250°F (121.1°C)
Certifications	U, UM, CE, NB, CRN

MODEL FLOW RATES

MODEL	# OF BAGS	FLOW RATE (GPM)	MAX FLANGE
LP16	2	250	4"
LP18	3	375	6"
LP20	4	500	6"
LP22	5	625	6"
LP24	6/7	750/875	6"
LP26	7	875	8"
LP28	8	1000	8"
LP30	10	1250	8"
LP32	12	1500	8"
LP34	13	1625	10"
LP36	14	1750	10"
LP38	17	2125	10"
LP40	18	2250	10"
LP42	19	2375	10"
LP44	22	2750	12"
LP46	25	3125	12"
LP48	26	3250	14"
LP50	30	3750	14"
LP52	32	4000	14"
LP54	35	4375	14"
LP56	38	4750	14"
LP58	38	4750	14"
LP60	41	5125	14"

*Flow rates above are based on water at 125gpm per filter bag, using 10 micron single layer filter bags with a clean pressure drop of 2psi. When operating using baskets only, each basket can flow up to 200gpm. Actual flow rates are dependent on fluid viscosity, bag micron rating, type of filter bag, and contaminant. Please contact Fil-Trek for assistance with sizing.

MATERIAL OF CONSTRUCTION

MATERIAL OF CONSTRUCTION	MAX. OPERATING PRESSURE	MAX. DESIGN TEMP
Carbon Steel	150 psi (10.3bar)	250°F (121.1°C)
304 Stainless Steel*	150 psi (10.3bar)	250°F (121.1°C)
316 Stainless Steel*	150 psi (10.3bar)	250°F (121.1°C)

*NSF/ANSI 61 certification available for SS304 and SS316 (S4LP/S6LP).



55 Stafford Court, Cambridge, ON N1T 1B3 P (519) 623-7448 F (519) 623-8807

For more information, e-mail: info@fil-trek.com or visit Fil-Trek.com

LP SERIES

Multi-Bag Filter Housings

- Multi-Bag Filter Housing
- ASME Design/Non-Code



HOUSING OPTIONS

*Indicates standard configuration

Configuration	(-) A – Side in/side out*
Options	B – In-Line side in/side out C – Side in/Bottom out D – Side in/Side out, Same Side
Basket	¾" on ¾" perforated basket*
Options	MB ___ - Mesh lined basket (insert mesh size in open space)
Finish	(-) Paint "National Blue" (std for CS)*
Options	(-) Bead Blast (std for SS304 or SS316)* EP1 – Electro polish Inside/Outside EP2 – Inside only EP3 – Outside only PP – Passivation
O-Ring	(-) Buna-N*
Options	ED – EPDM VI – Viton SI – Silicone TEV – Teflon encapsulated Viton
Accessories	Direct Reading Gauge DP Gauge Safety Relief Valves Vent Valves Drain Valves Air Eliminator Omega Springs Balloon/Liquid Displacer Bag Magnets

MODEL DIMENSIONAL DETAILS

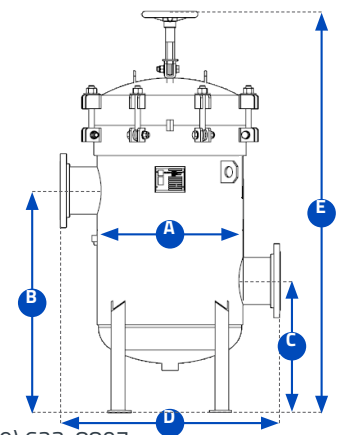
MODEL	# OF BAGS	SHIPPING WGT (LBS)	A	B	C	D	E
LP16	2	300	16.50"	30"	18"	28"	55"
LP18	3	400	18.50"	34"	20"	30"	61"
LP20	4	450	20.50"	34"	20"	34"	62"
LP22	5	550	22.50"	36"	22"	36"	66"
LP24	6/7	600	24.50"	36"	22"	38"	67"
LP26	7	750	26.50"	40.5"	24"	40"	74"
LP28	8	850	28.50"	40.5"	24"	44"	74"
LP30	10	950	30.50"	40.5"	24"	46"	76"
LP32	12	1150	32.63"	42.5"	26"	48"	80"
LP34	12	1,400	34.63"	47"	28"	52"	84"
LP36	14	1,500	36.63"	47"	28"	54"	84"
LP38	17	1,750	38.63"	47"	28"	56"	86"
LP40	18	1,825	40.63"	50"	30"	58"	82"
LP42	19	2,125	42.75"	50"	30"	60"	82"
LP44	22	2,375	44.75"	55"	32"	64"	88"
LP46	25	2,625	46.75"	57"	34"	66"	92"
LP48	26	3,000	48.88"	61"	36"	66"	98"
LP50	30	3,250	50.88"	61"	36"	70"	98"
LP52	32	3,500	52.88"	61"	36"	72"	98"
LP54	35	4,000	54.88"	61"	36"	74"	98"
LP56	38	4,250	56.88"	63"	38"	76"	102"
LP58	38	4,625	58.88"	63"	38"	80"	102"
LP60	41	5,000	60.88"	63"	38"	82"	102"

Dimensions above are based on standard configuration 'A', side in/side out. Contact factory for weights and dimensions for all other model configurations.

CHART LEGEND

- A** OUTSIDE DIAMETER
- B** FLOOR TO INLET
- C** FLOOR TO OUTLET
- D** FACE TO FACE
- E** OVERALL HEIGHT

Style A



55 Stafford Court, Cambridge, ON N1T 1B3 P (519) 623-7448 F (519) 623-8807

For more information, e-mail: info@fil-trek.com or visit Fil-Trek.com

LP SERIES

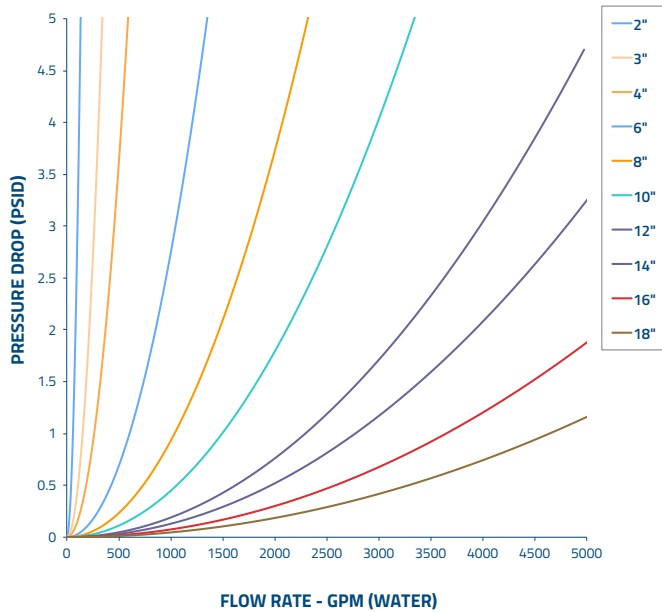
Multi-Bag Filter Housings

- Multi-Bag Filter Housing
- ASME Design/Non-Code



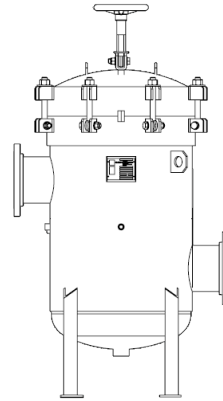
FLOW CHARTS

HOUSING PRESSURE DROP vs LIQUID FLOW RATE

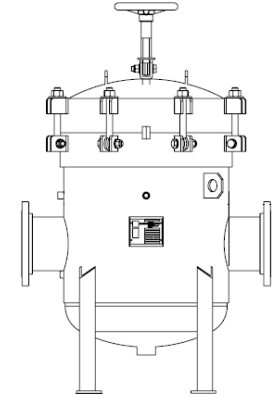


MODEL CONFIGURATIONS

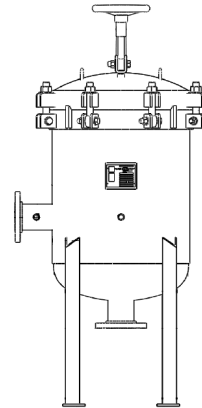
Style A: Side in/side out
LP Standard Design



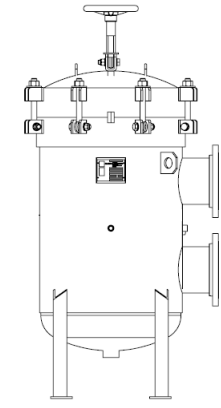
Style B: In-Line side in/out



Style C: Side in/bottom out



Style D: Same side in/out



PRODUCT NOMENCLATURE

S6	LP	18	3	12	6F	A	150	-
MATERIAL	MODEL	HOUSING DIAMETER	# OF BASKETS	BASKET LENGTH	CONNECTION TYPE	MODEL CONFIGURATION	DESIGN PRESSURE	OPTIONS
(-) – CS S4 – SS304** S6 – SS316**	LP – ASME Code* ELP – Non-Code	See Table	See Table	12 – Size 2	See Table	A – Side in/out* B – In-line C – Side in/bottom out D – Same side in/out	150	See "Housing Options"

*LP series is an ASME code stamped housing. This vessel is also available in an industrial non-code design. For non-code, add the prefix "E" to the LP in the part number.

**NSF/ANSI 61 certification available for SS304 and SS316 (S4LP/S6LP).



55 Stafford Court, Cambridge, ON N1T 1B3 P (519) 623-7448 F (519) 623-8807

For more information, e-mail: info@fil-trek.com or visit Fil-Trek.com