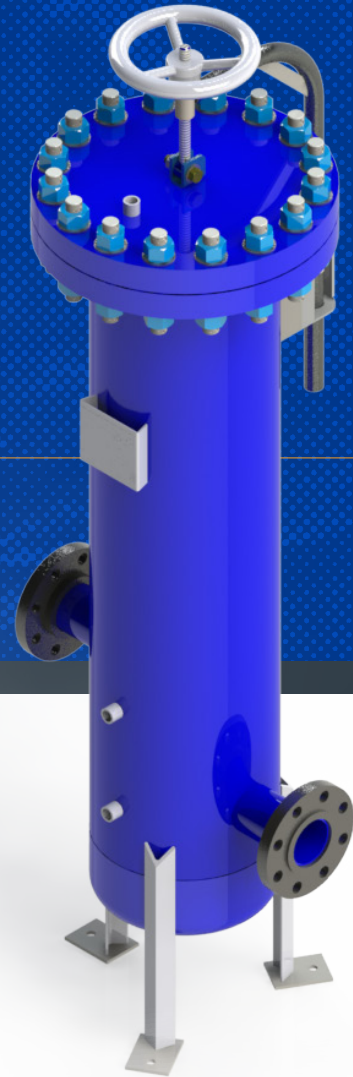


HT SERIES

High Temperature Multi-Cartridge Filter Housing

- ANSI Blind Flange Closure
- ASME Code (U/UM)
- Excellent for high temperature fluids such as heat transfer oils

Multi-purpose industrial ASME code ("U" & "UM") design cartridge filter housings ideal for high temperature fluid applications



SUITABLE USES



Air & Gas



Chemical



Pulp & Paper



Electronics



Coatings



Oil & Gas



Coolant



Power



Marine



Equipment

MEDIA

Accepts multiple 10", 20", 30" or 40" cartridges

Accepts industry-standard double open end style cartridges*

**Models can be designed to accept single open end cartridges*

DESIGN TEMP.

650°F (343°C) to 800°F (427°C)

AVAILABLE MATERIALS

Carbon or Stainless Steel 304 or 316

Also available in LDX2101, C276, AL6XN, 2205, 2507 and Monel 400

ADDITIONAL FEATURES

Inlet and outlet nozzles elongated by 6" to accommodate for installation of protective insulation when needed

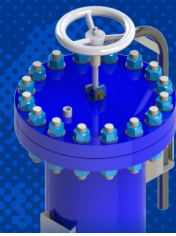
Custom sizes, configurations, materials of construction and other options may be available. Please contact Fil-Trek

For more information, e-mail: info@fil-trek.com or visit Fil-Trek.com

HT SERIES

High Temperature Multi-Cartridge Filter Housing

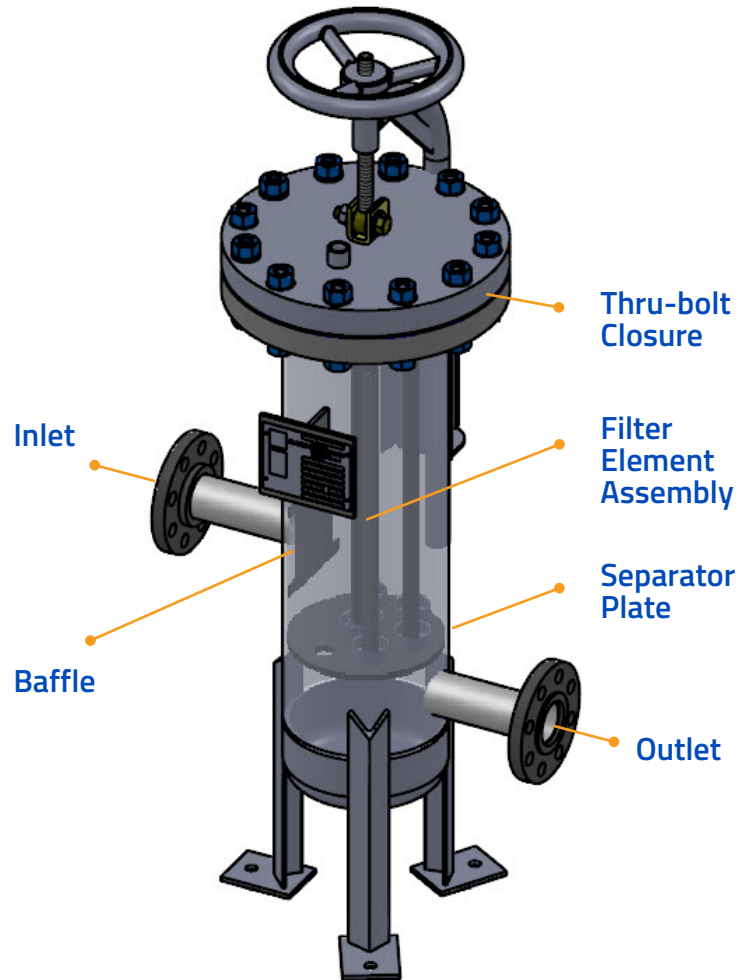
- ANSI Blind Flange Closure
- ASME Code (U/UM)
- Excellent for high temperature fluids such as heat transfer oils



HOUSING SPECIFICATIONS

*Indicates standard configuration

Inlet/Outlet	2" – 6" Flange
Dirty Drain	1" NPT
Clean Drain	1" NPT
Vent	½" NPT*
Gauges	½" NPT*
Headlift	Cover w/ handle on HT 8" or smaller Mechanical Davit on HT 10" or larger
Cover	ANSI Blind Flange flat top cover
Closure	Thru-bolt assemblies, carbon steel zinc plated
Legs	Angle Iron Legs w/ Footpads
Standard Pressure	See Pressure & Temperature Designation table
Standard Temperature	See Pressure & Temperature Designation table
Certifications	U, UM, CE, NB, CRN



MODEL FLOW RATES

Model	# of Filters (2.5" OD)	Flow Rate (GPM)	Max Inlet/Outlet
HT04	1	20	2"
HT06	3	60	2"
HT08	6	120	2"
HT10	10	200	3"
HT12	12	240	4"
HT14	18	360	4"
HT16	22	440	6"

NOTE: Flow rates based on water at 5gpm/10" (assuming 40" cartridges). Actual flow rate is dependant on fluid viscosity, cartridge micron rating, contaminant and type of media.

PRESSURE & TEMPERATURE DESIGNATION

DESIGNATION	MOC	PRESSURE	TEMP (°F)	ANSI RATING
HT1	CS	120	650	ANSI 150
	SS304/SS316	120		
HT2	CS	150	800	ANSI 300
	SS304/SS316	150		
HT3	CS	300	800	ANSI 300
	SS304/SS316	300		
HT4	CS	530	650	ANSI 300
	SS304/SS316	425		

*Other pressure/temperature classifications available upon request.



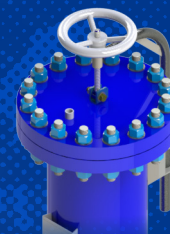
55 Stafford Court, Cambridge, ON N1T 1B3 P (519) 623-7448 F (519) 623-8807

For more information, e-mail: info@fil-trek.com or visit Fil-Trek.com

HT SERIES

High Temperature Multi-Cartridge Filter Housing

- ANSI Blind Flange Closure
- ASME Code (U/UM)
- Excellent for high temperature fluids such as heat transfer oils



HOUSING OPTIONS

*Indicates standard configuration

Configuration (-) Side in/side out*

Options

(at right)

Finish (-) High Temperature primer, paint available

Options

upon req. (std for carbon steel housings)*

(-) Bead Blast (std for stainless steel 304 and 316)*

Gasket

Options

(-) - Flexitallic*

Garlon

Other materials available upon request

Filter

Configuration

(-) E1 – Double Open End (std)*

E12 - SOE w/ 1" NPT

Accessories

Direct Reading Gauge

DP Gauge

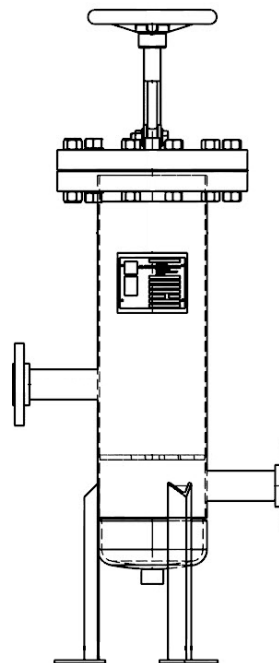
Safety Relief Valves

Vent Valves

Drain Valves

Air Eliminator

A Side in/side out*



COMPATIBLE FILTERS



ECOMESH SERIES

Pleated or cylindrical SS304 and SS316 filters available in wide variety of micron ratings. Best used with a 1" NPT config.

[Click to view EcoMesh Series](#)



POROSHIELD SERIES

Sintered metal, suitable for aggressive chemicals, high pressures and temperatures. Best used with a 1" NPT config.

[Click to view Poroshield Series](#)



WEDGE WIRE SERIES

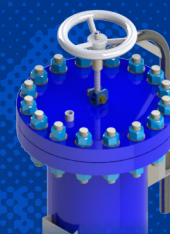
Economical for high flow, high pressure applications with excellent corrosion resistance. Best used with a 1" NPT config.

[Click to view Wedge Wire Series](#)

HT SERIES

High Temperature Multi-Cartridge Filter Housing

- ANSI Blind Flange Closure
- ASME Code (U/UM)
- Excellent for high temperature fluids such as heat transfer oils

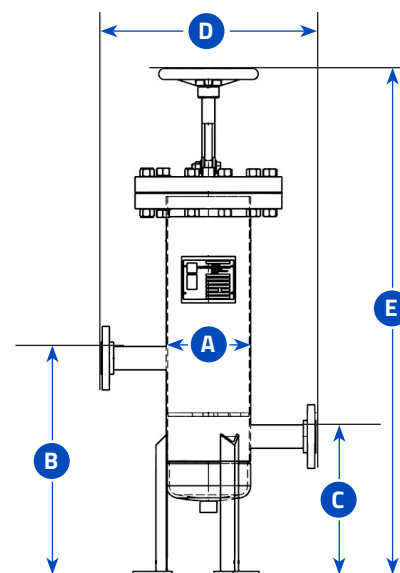


MODEL DIMENSIONAL DETAILS

MODEL	SHIPPING WEIGHT (LBS)	A	B	C	D	E
HT04-001-4-2F	150					
HT06-003-4-2F	250	6 ⁵ / ₈ "	21"	14"	16"	70"
HT08-006-4-2F	350	8 ⁵ / ₈ "	22"	14"	18"	72"
HT10-010-4-3F	550	10 ³ / ₄ "	24"	16"	20"	75"
HT12-012-4-3F	750	12 ³ / ₄ "	26"	18"	24"	77"
HT14-019-4-4F	950	14"	28"	18"	26"	80"
HT16-025-4-6F	1250	16"	30"	20"	28"	82"

CHART LEGEND

- A** OUTSIDE DIAMETER
- B** FLOOR TO INLET
- C** FLOOR TO OUTLET
- D** FACE TO FACE
- E** OVERALL HEIGHT



PRODUCT NOMENCLATURE

S4	HT	08	006	4	3F	HT1	
MOC	MODEL	HOUSING DIAMETER	# OF FILTERS	LENGTH	CONNECTION TYPE	PRESSURE CLASS	OPTIONS
(-) CS S4 - SS304 S6 - SS316	HT - ASME Code	See table	See table	1 - 10 2 - 20 3 - 30 4 - 40	See table	See Pressure & Temperature Designation Table	See "Housing Options"



55 Stafford Court, Cambridge, ON N1T 1B3 P (519) 623-7448 F (519) 623-8807

For more information, e-mail: info@fil-trek.com or visit Fil-Trek.com