

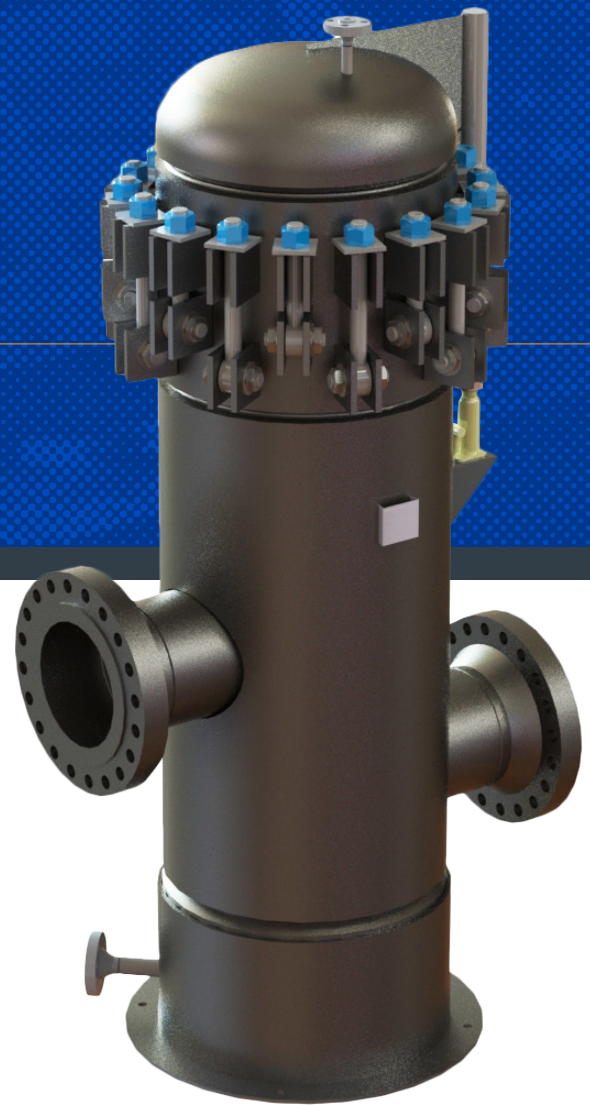


70V SERIES

Dry Gas Filtration

- Dry Gas Housing
- Vertical Orientation
- ASME Design ("U"/"UM")

Ideal for the removal of solid contaminants from natural gas.



SUITABLE USES



Air & Gas



Oil & Gas

MEDIA Accepts single or multiple 12", 36" or 72" lg filters
**Can be designed to accept single open end elements*

COMPATIBLE FILTERS FG Series, TG Series and WGF Series

DESIGN PRESSURE 285, 740, 1000 and 1480 PSIG

STD DESIGN TEMP -20°F to 350°F (-28.8°C to 176.6°C)

AVAILABLE MATERIALS Carbon or Stainless Steel 304 or 316. Also available in C276, AL6XN, 2205, 2507 & Monel 400.

ADDITIONAL FEATURES Ideal for the removal of dirt, rust and pipe scale from a natural gas stream

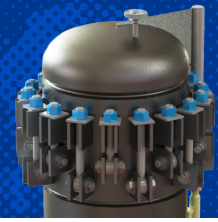
Custom sizes, configurations, materials of construction and other options may be available. Please contact Fil-Trek

For more information, e-mail: info@fil-trek.com or visit Fil-Trek.com

70V SERIES

Vertical Dry Gas Filter

- Dry Gas Housing
- Vertical Orientation
- ASME Design



HOUSING SPECIFICATIONS

Inlet/Outlet	Flange
Dirty Drain	1" NPT
Clean Drain	1" NPT
Vent	½" NPT on all sizes
Gauges	½" NPT on all sizes
Closure	Swing bolt closure <i>*Limited to pressure class</i>
Headlift	Mechanical Davit on 70V12 and larger Hydraulic Davit on 70V40 and larger
Legs	Skirt
Standard Pressure	150 PSIG <i>*Other pressures available, see table</i>
Standard Temperature	400°F (204°C) <i>*Other temperatures available, see table</i>
Certifications	ASME Section VIII, Div. I U, UM, CE, NB, CRN
Sour Service	Available, please contact
Corrosion Allowance	Available, please contact

PRESSURE & TEMPERATURE DESIGNATION

DESIGNATION	MOC	PSI	TEMP (°F)	ANSI RATING
PT1	CS	285	100	ANSI 150
	SS304/SS316	270		
PT2	CS	200	400	ANSI 150
	SS304/SS316	190		
PT3	CS	740	100	ANSI 300
	SS304/SS316	720		
PT4	CS	635	400	ANSI 300
	SS304/SS316	495		
PT5	CS	1480	100	ANSI 600
	SS304/SS316	1440		

MATERIAL OF CONSTRUCTION

MATERIAL OF CONSTRUCTION	MAX. OPERATING PRESSURE	MAX. DESIGN TEMP
Carbon Steel	150 psi (10.3bar)	400°F (204°C)
304 Stainless Steel	150 psi (10.3bar)	400°F (204°C)
316 Stainless Steel	150 psi (10.3bar)	400°F (204°C)

PRODUCT NOMENCLATURE

S6	70V	32	023	336	14F	PT1	-
MOC	MODEL	HOUSING DIAMETER	# OF FILTERS	FILTER SIZE/ LENGTH	CONNECTION TYPE	DESIGN PRESSURE	OPTIONS
(-) CS S4 SS304 S6 SS316	70V	See Table	See Table	See Table	See Table	150	See "Housing Options"

70V SERIES

Vertical Dry Gas Filter

- Dry Gas Housing
- Vertical Orientation
- ASME Design

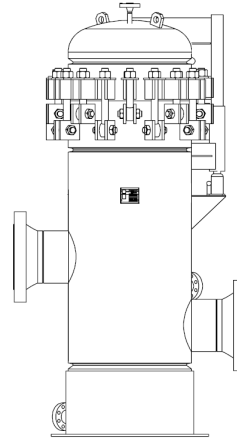


HOUSING OPTIONS

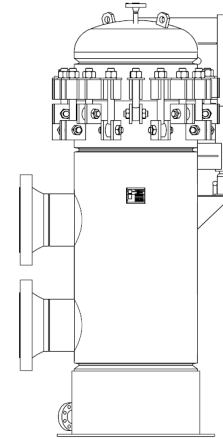
*Indicates standard configuration

Configuration	(-) A – Side In/Side Out*
Options <i>(at right)</i>	D - Same Side In/Out
Finish	(-) External paint "National Blue" (CS)*
Options	(-) Bead Blast (SS304 and SS316)*
Cover	(-) Swing Bolt (O-Ring Seal)*
Options**	ANSI Bolted Cover (Gasket Seal) Yoke Cover (O-Ring Seal) Quick Opening Threaded Cover (O-Ring Seal) Quick Opening C-Clamp Cover (O-Ring Seal) Grooved <i>*Based on standard of construction</i> <i>**See page 5-6 for closure options</i>
O-Ring	O-Ring Options (-) Buna-N* EPDM Viton Silicone Teflon encapsulated Viton Teflon
Filter Support	(-) CS support post*
Options	SS304 or SS316 support post
Filter Configuration	Double Open End* SOE w/ Bolt hole
Leg Options	(-) Skirt* Leg tabs Angle Iron Legs
Accessories	Direct Reading Gauge DP Gauge Safety Relief Valves Vent Valves Drain Valves

A Side in/side out*



D Side in/Side Out, Same Side



COMPATIBLE FILTERS

TG SERIES FILTERS

99.98% efficient pleated gas filters available in polyester, polypropylene, and glass media. Available in 324, 336, 372, 536 and 636 sizes in micron ratings between 0.5 and 50.



[Click to view TG Series](#)

FG SERIES FILTERS

Fibreglass depth gas filters available in micron ratings between 0.3 and 50.



[Click to view FG Series](#)

WGF SERIES FILTERS

Fibreglass string wound media with a steel core - best used for high temperature, high pressure applications. Micron ratings from 0.3 to 50.



[Click to view WGF Series](#)

70V SERIES

Vertical Dry Gas Filter

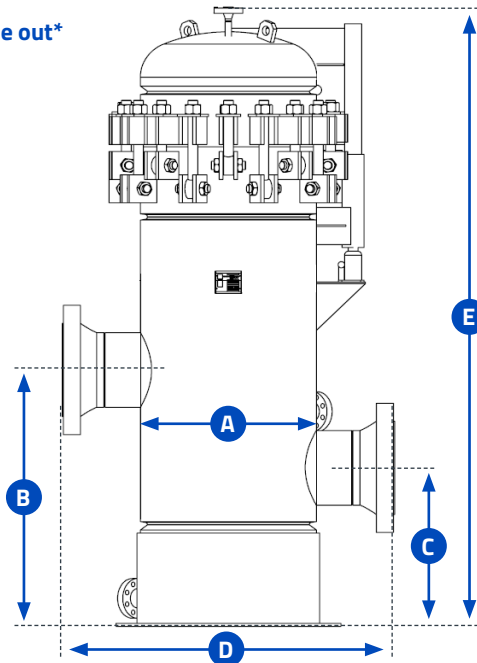
- Dry Gas Housing
- Vertical Orientation
- ASME Design



MODEL DIMENSIONAL DETAILS

MODEL	# FILTERS	A	B	C	D	E
70V06-001-336-2F	1	6 ⁵ / ₈ "	23"	17"	23"	64"
70V10-002-336-4F	2	10 ³ / ₄ "	28"	20"	27"	70"
70V12-002-336-4F	2	12 ³ / ₄ "	31"	23"	29"	73"
70V12-003-336-6F	3	12 ³ / ₄ "	33"	23"	29"	77"
70V14-003-336-6F	3	14"	33"	23"	30"	77"
70V14-004-336-6F	4	14"	33"	23"	30"	77"
70V16-005-336-8F	5	16"	37"	25"	32"	83"
70V18-007-336-8F	7	18"	38"	26"	34"	84"
70V20-008-336-8F	8	20"	39"	27"	36"	85"
70V22-011-336-8F*	11	22"	41"	28"	40"	88"
70V24-013-336-10F	13	24"	44"	30"	44"	92"
70V26-016-336-12F	16	26"	48"	32"	46"	98"
70V28-019-336-12F	19	28"	49"	33"	48"	99"
70V30-021-336-14F	21	30"	53"	35"	50"	105"
70V32-023-336-14F	23	32"	54"	36"	52"	106"
70V34-028-336-16F	28	34"	58"	38"	54"	110"
70V36-031-336-16F	31	36"	59"	39"	56"	111"

A Side in/side out*



*Only available in swing bolt closure up to limited pressure, please contact.
 Specifications above do not include corrosion allowance and are for 336 elements and are reference only. Available in additional sizes up to 72" diameter.
 For sizing information for other element sizes please contact Fil-Trek.
 All quotes are complete with certified drawing which indicate accurate dimensions and weight.

CHART LEGEND

- A** OUTSIDE DIAMETER
- B** FLOOR TO INLET
- C** FLOOR TO OUTLET
- D** FACE TO FACE
- E** OVERALL HEIGHT

70V SERIES

Vertical Dry Gas Filter

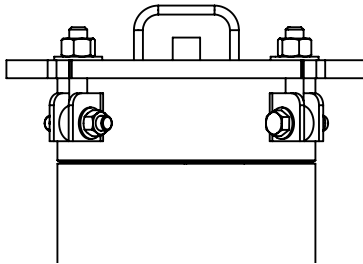
- Dry Gas Housing
- Vertical Orientation
- ASME Design



CLOSURE AND QUICK OPENING COVER OPTIONS

Fil-Trek designs and fabricates a variety of closure and quick opening cover options to accommodate strict applications and requirements. All materials of construction are in accordance with ASME specifications and manufacturing complies with the applicable rules of the ASME Code for Pressure Piping and with the ASME Boiler and Pressure Vessel Code.

HINGED COVER

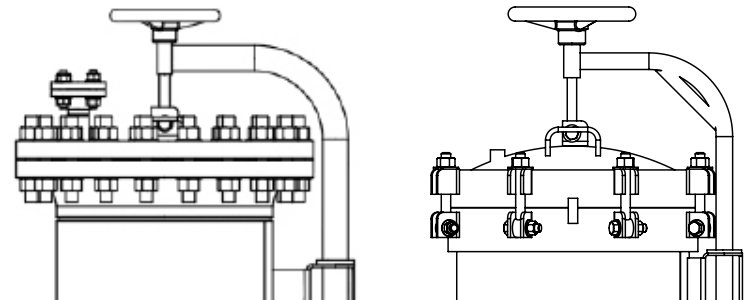


The most economical quick opening closure offered for fabricated strainers with nominal pressure applications. The swing bolt hinged cover uses an O-ring to seal. Easy to open by quickly and easily by loosening the swing bolts until they clear the holding lugs and swinging the head open on its hinge.

MECHANICAL DAVIT ASSEMBLY

Our mechanical davit assembly makes it easy for the operator to open and swing the cover away to facilitate basket or screen removal for cleaning. It is used primarily for larger strainers where cover removal is difficult and heavy. This is the most inexpensive alternative to quick release covers, especially when operating conditions require a bolted cover. Available for swing bolt and ANSI closures.

**Hydraulic davit head lift also available.



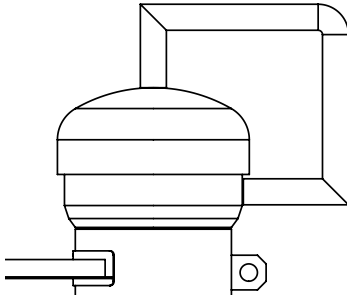
70V SERIES

Vertical Dry Gas Filter

- Dry Gas Housing
- Vertical Orientation
- ASME Design



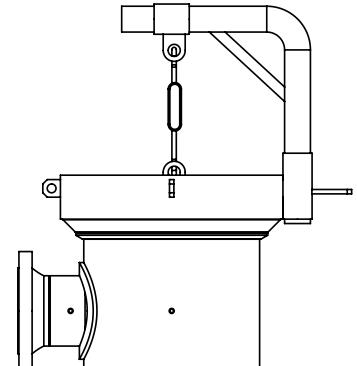
THREADED HINGED COVER



The quick open threaded hinged closure uses a cap fastened to a hub and is welded to the strainer body. The female cap is threaded onto the male hub using O-rings to seal. The O-ring prevents corrosion of the closure threads and provides a long, trouble free service. The threaded cover can be used for both nominal and high pressure applications. Available in both vertical and horizontal configurations.

YOKE CLOSURE

The Yoke hinged cover is a true ANSI rated closure and uses an O-ring seal. Used primarily on high pressure applications, it is available for 150#, 300#, 600#, 900# and 1500# ANSI ratings with a wide range of operating aids, ranging from a single lever chain and sprocket drive to completely automated.



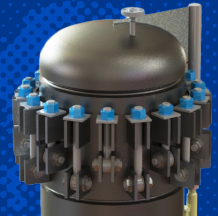
CLOSURE COMPARISON

	COVER TYPE			
	HINGED COVER	MECHANICAL DAVIT	THREADED COVER	YOKE CLOSURE
COST	Low	Moderate	High	High
QUICK OPENING ABILITY	Good	Fair	Best	Best
LOW PRESSURE APPLICATIONS	X	X	-	-
NOMINAL PRESSURE APPLICATIONS	X	X	X	X
HIGH PRESSURE APPLICATIONS	-	X	X	X

70V SERIES

Vertical Dry Gas Filter

- Dry Gas Housing
- Vertical Orientation
- ASME Design



GAS HOUSING SIZING WORKSHEET

Please use the following worksheet to enter as much detail as possible about the gas application you are sizing for. The minimum requirement we need to help size will be the areas marked with an '*':

Operating Conditions

Name of Gas* _____

Max. Operating Flow Rate* _____

Gas Specific Gravity (Air = 1)* _____

Type of System or Location in Process* _____

Min. Operating Pressure (PSIG)* _____

Min. Operating Temperature (F) _____

Amount of Liquids Present (GPD) _____

Amount of Particulate Present (Parts per 100 scf) _____

Max. Allowable Clean Pressure Drop _____

Name of Liquid Present _____

@ _____ Pressure (PSIG)

OR Mole Weight/Composition _____

Dry? Wet?

Max. Operating Pressure (PSIG) _____

Max. Operating Temperature (F)* _____

Specific Gravity (Water = 1) _____

Name of Particulate _____

(Standard = 2 PSID Flange to Flange)

Mechanical Data

Design Pressure Min.* _____ Max.* _____

ASME Code Required?* _____

If YES, Pressure (PSI) _____ Temp (F) _____

Fire Safe Service _____

Inlet/Outlet Type Flanged Threaded

Type/ANSI Rating of Flanges (#) _____

Vessel MOC CS SS304 SS316

Internals MOC CS SS304 SS316

Design Temperature Min.* _____ Max.* _____

Sour Service? Acid Service?

Corrosion Allowance (in) _____

(ie All Connections/Closures Flanged?) _____

Other (Please specify) _____

Face RF RTJ Type SO WN LWN

Other (Please specify) _____

Other (Please specify) _____

Other Details
