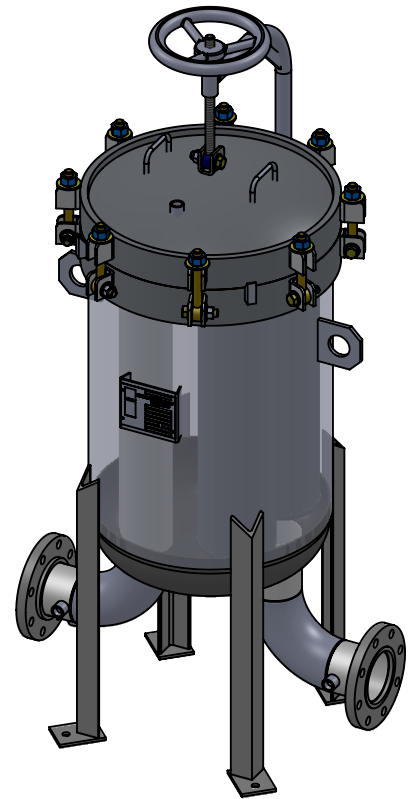


| NOZZLE SCHEDULE | | | |
|--|-----|----------------------------|----------------|
| MARK | QTY | SIZE / RATING | DESCRIPTION |
| N1 | 1 | 4" 150# RFSO | INLET |
| N2 | 1 | 4" 150# RFSO | OUTLET |
| N3 | 2 | 1/2" 3000# NPT | PRESSURE GAUGE |
| N4 | 1 | 1/2" 3000# NPT | VENT |
| N5 | 1 | 2" 3000# NPT | CLEAN DRAIN |
| N6 | 1 | 1/2" 3000# NPT | DIRTY DRAIN |
| VESSEL DESIGN CONDITIONS | | | |
| CODE: ASME SECTION VIII DIV. 1, 2015 EDITION | | | |
| M.A.W.P.: 150 PSI @ 400°F | | M.D.M.T.: -20° F @ 150 PSI | |
| M.A.E.P.: 15 PSI @ 400°F | | | |
| CORROSION ALLOWANCE: NONE | | HYDROTEST PRESS: 195 PSI | |
| STAMP: U | | SERVICE: NON LETHAL | |
| PWHT: NONE | | RADIOGRAPHY: NONE | |
| MATERIAL: CS | | GASKET: BUNA-N | |

- NOTES:
- VESSEL WILL HOUSE (QTY=4) SIZE 2 BASKETS.
 - DRY WEIGHT: 393.98 LBS
 - FLOODED WEIGHT: 760 LBS
 - SHIPPING WEIGHT: 420 LBS
 - VESSEL VOLUME: 6.3 FT³



APPROVED WITH MARK-UPS APPROVED

THIRD ANGLE PROJECTION
 TOLERANCES-UNLESS OTHERWISE NOTED
 DECIMAL .X = ±.1" .XX = ±.02" .XXX = ±.005"
 FRACTIONAL = ±1/8"
 ANGULAR = ± 1°
 MAX. MACHINED SURFACE FINISH 125/√

FIL-TREK CORPORATION
 55 Stafford Court
 Cambridge, Ontario
 N1T 1B3
 Canada
 Phone: (519) 623-7448
 Fax: (519) 623-8807
 Email: info@fil-trek.com
 Website: www.fil-trek.com

THIS DRAWING IS THE PROPERTY OF 'FIL-TREK CORPORATION' AND MUST NOT BE COPIED OR USED IN ANY WAY DETRIMENTAL TO THE CORPORATION

EQUIPMENT: BAG FILTER VESSEL (BMB SERIES)
 MODEL NO: BMB20-412-4F-150
 CUSTOMER:

| | | | | | |
|---------|------------|------------------|------------|-----------------------|------------|
| PARENT: | DRAWN: MS | DATE: 12/12/2017 | SERIAL No. | Part No. 002005-00052 | REV. No. 0 |
| CHK'D: | SCALE: NTS | | | | |