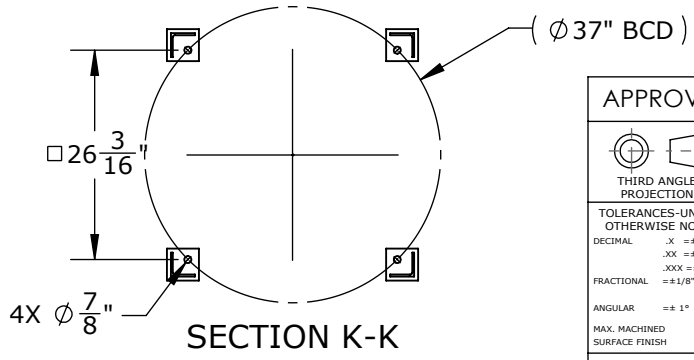
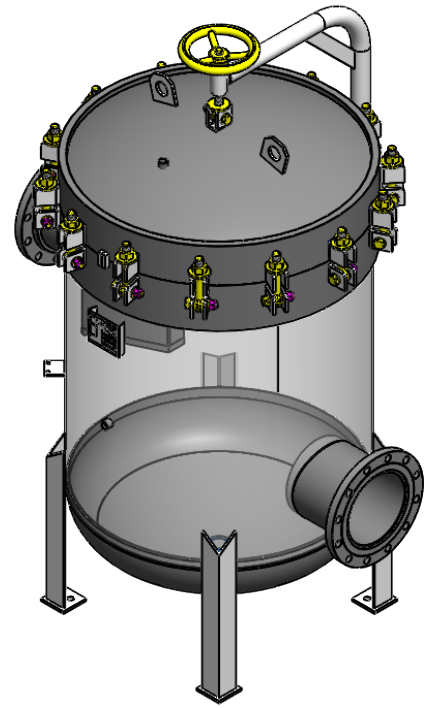
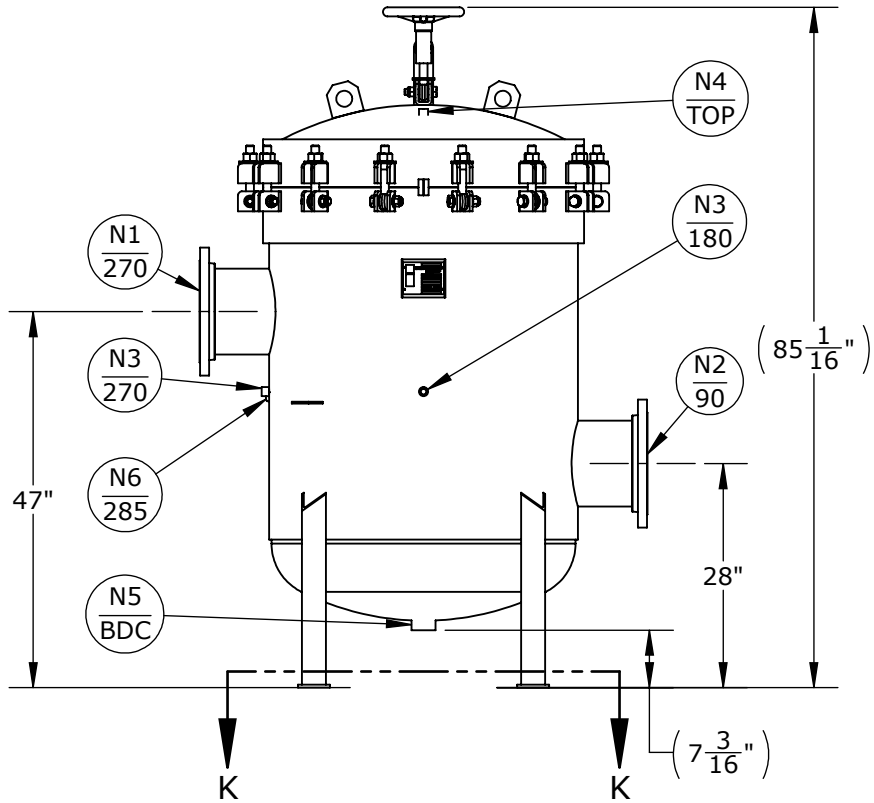


NOZZLE SCHEDULE			
MARK	QTY	SIZE / RATING	DESCRIPTION
N1	1	10" RFSO CL150	INLET
N2	1	10" RFSO CL150	OUTLET
N3	2	1/2" NPT CL3000	PRESSURE GAUGE
N4	1	1/2" NPT CL3000	VENT
N5	1	2" NPT CL3000	CLEAN DRAIN
N6	1	1/2" NPT CL3000	DIRTY DRAIN

VESSEL DESIGN CONDITIONS	
CODE: ASME SECTION VIII DIV. 1, 2019 EDITION	
M.A.W.P.: 150 PSI @ 400°F	M.D.M.T.: -20°F @ 150 PSI
M.A.W.P.: FV PSI @ 400°F	HYDROTEST PRESS: 210 PSI
CORROSION ALLOWANCE: N/A	SERVICE: UNK. LIQUID, NON-LETHAL
STAMP: U	RADIOGRAPHY: N/A
PWHT: N/A	GASKET: <input type="checkbox"/> BUNA <input type="checkbox"/> VITON <input type="checkbox"/> EPDM
MATERIAL: SS316	<input type="checkbox"/> OTHER: _____
NOTES:	
DRY WEIGHT: 1550 LBS	
SHIPPING WEIGHT: 1750 LBS	
VOLUME: 37.25 CU. FT.	
INTERNALS: 17x SIZE 2 BASKETS (SS316)	
FACTORY INSTALLED OPTIONS:	
<input type="checkbox"/> STAINLESS STEEL BOLTING (SS316)	
<input type="checkbox"/> MESH LINED BASKETS: _____ MESH	
<input type="checkbox"/> N3 DIFFERENTIAL PRESSURE GAUGE	
TYPE: _____	
<input type="checkbox"/> N4 PRESSURE RELIEF VALVE	
TYPE: _____	
<input type="checkbox"/> N4 AIR ELIMINATOR	
TYPE: _____	
<input type="checkbox"/> N4 VENT VALVE	
<input type="checkbox"/> N5/N6 DRAIN VALVES	



APPROVED WITH MARK-UPS APPROVED

 THIRD ANGLE PROJECTION	 FIL-TREK CORPORATION	
	55 Stafford Court Cambridge, Ontario N1T 1B3 Canada	Phone: (519) 623-7448 Fax: (519) 623-8807 Email: info@fil-trek.com Website: www.fil-trek.com
THIS DRAWING IS THE PROPERTY OF 'FIL-TREK CORPORATION' AND MUST NOT BE COPIED OR USED IN ANY WAY DETRIMENTAL TO THE CORPORATION		
EQUIPMENT:		LP SERIES (BAG FILTER VESSEL)
MODEL NO:		S6LP38-1712-10F-A-150A
CUSTOMER:		
VESSEL QUANTITY:	DRAWN: AJ	DATE: 2020-03-05
	CHK'D: TS	SCALE: NTS
	SERIAL No.	Part No. 002004-01173
		REV. No. 0