



HPI SERIES

High Purity Cartridge Filter Housings

- High Purity & Crevice Free
- Accepts 2.5" OD cartridge filters
- SS304 or SS316

HPI Series vessels meet strict standards of sanitary/ high purity requirements. All external parts are SS316 and can be electropolished to meet 32Ra specifications. Crevice free welding can be used wherever required.



SUITABLE USES



Air & Gas



Desalination



Coolant



Water



Electronics



Coatings



Oil & Gas



Chemical



Pulp & Paper



Power



Marine



Equipment

MEDIA

Accepts multiple 10", 20", 30" or 40" industry-standard double open end style cartridges*

**Models can be designed to accept single open end cartridges*

DESIGN PRESSURE

150psig (10.3bar) @ 400°F (204.4°C)

AVAILABLE MATERIALS

Stainless Steel 304 or 316 DX2101, C276, AL6XN, 2205, 2507 and Monel 400.

**NSF/ANSI/CAN 61 certification available for SS304 and SS316 (S4HPI and S6HPI).*

ADDITIONAL FEATURES

Swing bolt closure allows for quick element change out



Certified to
NSF/ANSI/CAN 61

Custom sizes, configurations, materials of construction and other options may be available. Please contact Fil-Trek

*For more information, e-mail:
info@fil-trek.com or visit Fil-Trek.com*

HPI SERIES

High Purity Cartridge Filter Housings

- Cartridge Filter Housing
- ASME Design
- High Purity



HOUSING SPECIFICATIONS

*Indicates standard configuration

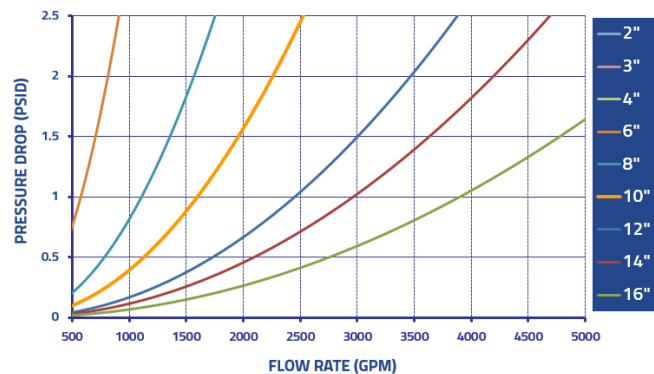
Inlet/Outlet	2" - 6" NPT 2" - 16" Flange
Dirty Drain	1" NPT*
Clean Drain	1" NPT*
Vent	½" NPT*
Gauges	½" NPT*
Headlift	Hinge on HPI10 or smaller* Mechanical davit on HPI12 and larger* Hydraulic davit on HPI40 and larger*
Cover	Flat top cover on HPI10 and smaller* Domed cover on HPI12 and larger*
Legs	Angle iron legs with footpads*
Closure	Swing bolt closure*
Bolting	SS316 w/ Xylan coated nuts
Standard Pressure	150psi
Standard Temperature	400°F (204°C)
Certifications	U, UM, CE, NB, CRN
Reverse Flow	Housings can be modified to accommodate reverse flow applications

MODEL FLOW RATES

MODEL	# OF 2.5" OD FILTERS	FLOW RATE (GPM)	MAX INLET/OUTLET
HPI08	6	120	3"
HPI10	10	200	3"
HPI12	12	240	4"
HPI14	18	360	4"
HPI16	22	440	6"
HPI18	30	600	6"
HPI20	36	720	6"
HPI22	41	820	8"
HPI24	52	1040	8"
HPI26	66	1320	8"
HPI28	76	1520	10"
HPI30	90	1800	10"
HPI32	105	2100	10"
HPI34	116	2320	12"
HPI36	135	2700	12"
HPI38	150	3000	14"
HPI40	175	3500	14"
HPI42	186	3720	14"
HPI44	200	4000	16"
HPI46	220	4400	16"
HPI48	238	4760	16"

Flow rates based on water at 5gpm/10" (assuming 40" cartridges). Actual Flow rate is dependent on fluid viscosity, cartridge micron rating, contaminant and type of media.

Housing Pressure Drop vs Liquid Flow Rate



HPI SERIES

High Purity Cartridge Filter Housings

- Cartridge Filter Housing
- ASME Design
- High Purity



HOUSING OPTIONS

*Indicates standard configuration

Configuration C – Side in/Bottom out*

Options
(at right)

Finish **Bead Blast** (std for stainless steel 304 and 316)*

- Options**
- EP1 – Electro polish Inside/Outside
 - EP2 – Inside only
 - EP3 – Outside only
 - PP – Passivation

O-Ring **BN – Buna-N***

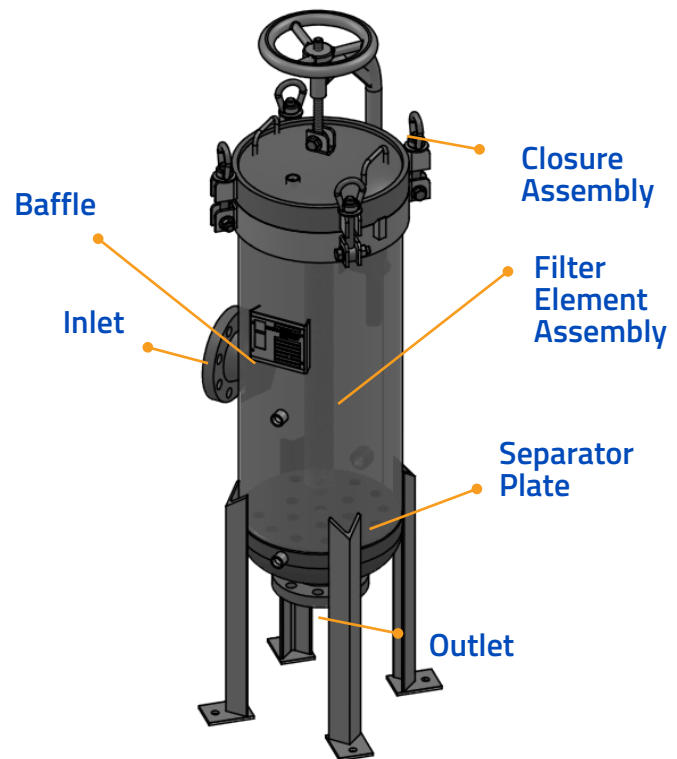
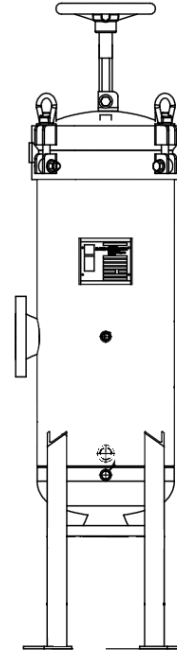
- Options**
- ED – EPDM
 - VI – Viton
 - SI – Silicone
 - TEV – Teflon encapsulated Viton
 - TF – Teflon

Filter **E1 – Double Open End (std)***

- Configuration**
- E2 – DOE with Gasket Ends
 - E3 – DOE with 1" Ext. Core
 - E4 – SOE Flat End 222 Open End
 - E5 – SOE Fin End 222 Open End
 - E8 – SOE Plastic Spring Top 222
 - E9 – SOE Plastic Spring Top

- Accessories**
- Direct Reading Gauge
 - DP Gauge
 - Safety Relief Valves
 - Vent Valves
 - Drain Valves
 - Air Eliminator

C Side in/Bottom out*



MATERIAL OF CONSTRUCTION

MATERIAL OF CONSTRUCTION	MAX. OPERATING PRESSURE	MAX. DESIGN TEMP
SS304	150 psi (10.3bar)	400°F (204°C)
SS316	150 psi (10.3bar)	400°F (204°C)

*NSF/ANSI 61 certification available for SS304 and SS316 (S4HPI and S6HPI).



55 Stafford Court, Cambridge, ON N1T 1B3 P (519) 623-7448 F (519) 623-8807

For more information, e-mail: info@fil-trek.com or visit Fil-Trek.com

HPI SERIES

High Purity Cartridge Filter Housings

- Cartridge Filter Housing
- ASME Design
- High Purity



MODEL DIMENSIONAL DETAILS

MODEL	SHIPPING WEIGHT (LBS)	A	B	C	D	E
HPI08-006-4-3F	200	8 ⁵ / ₈ "	22"	16"	18"	65"
HPI10-010-4-3F	240	10 ³ / ₄ "	24"	18"	20"	68"
HPI12-012-4-4F	280	12"	24"	18"	22"	72"
HPI14-019-4-4F	360	14 ¹ / ₂ "	28"	18"	26"	80"
HPI16-025-4-6F	400	16 ¹ / ₂ "	30"	18"	28"	82"
HPI18-032-4-6F	550	18 ¹ / ₂ "	32"	20"	30"	84"
HPI20-040-4-6F	600	20 ¹ / ₂ "	34"	20"	34"	86"
HPI22-052-4-8F	650	22 ¹ / ₂ "	36"	22"	36"	86"
HPI24-060-4-8F	850	24 ¹ / ₂ "	38"	24"	38"	90"
HPI26-068-4-8F	950	26 ¹ / ₂ "	40"	26"	40"	92"
HPI28-081-4-10F	1050	28 ¹ / ₂ "	42"	28"	44"	96"
HPI30-093-4-10F	1200	30 ¹ / ₂ "	42"	28"	46"	98"
HPI32-112-4-10F	1400	32 ¹ / ₂ "	44"	28"	48"	100"
HPI34-122-4-12F	1500	34 ³ / ₄ "	46"	30"	52"	106"
HPI36-142-4-12F	1650	36 ³ / ₄ "	46"	30"	54"	108"
HPI38-150-4-14F	1800	38 ³ / ₄ "	46"	32"	58"	110"
HPI40-180-4-14F	2200	40 ³ / ₄ "	48"	32"	60"	112"
HPI42-194-4-14F	2300	42 ³ / ₄ "	48"	36"	62"	114"
HPI44-210-4-16F	2500	44 ³ / ₄ "	50"	36"	66"	118"
HPI46-230-4-16F	2650	47"	50"	36"	68"	120"
HPI48-257-4-16F	2800	49"	52"	36"	70"	120"

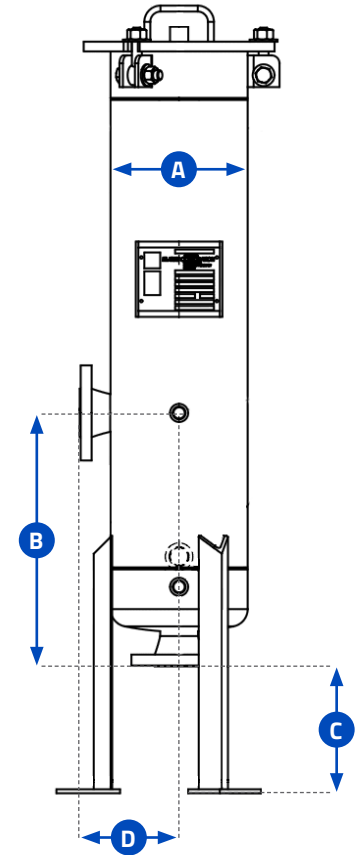


CHART LEGEND

- A** OUTSIDE DIAMETER
- B** INLET TO OUTLET
- C** FLOOR TO OUTLET
- D** CENTER TO FACE

NOTE: Above details are typical weights and dimensions and may change, For critical applications, please contact factory for certified drawing.

PRODUCT NOMENCLATURE

S6	HPI	18	032	4	6F	150	-
MOC	MODEL	HOUSING DIAMETER	# OF FILTERS	LENGTH	CONNECTION TYPE	DESIGN PRESSURE	OPTIONS
S4 - SS304 S6 - SS316	HPI	See Table	See Table	1 - 10 2 - 20 3 - 30 4 - 40	See Table	150	See "Housing Options"



55 Stafford Court, Cambridge, ON N1T 1B3 P (519) 623-7448 F (519) 623-8807

For more information, e-mail: info@fil-trek.com or visit Fil-Trek.com