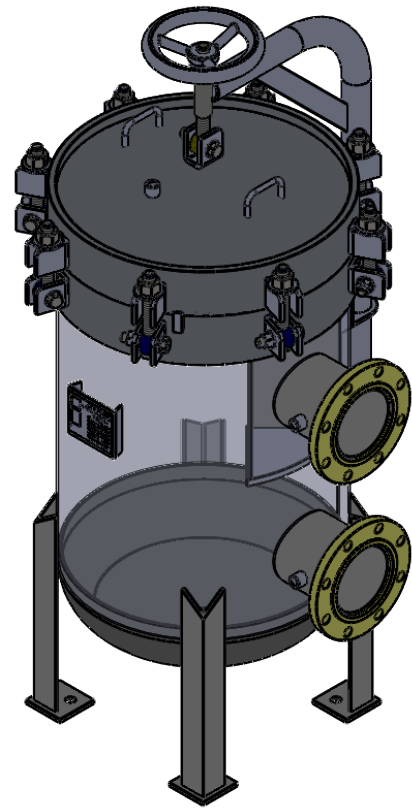


NOZZLE SCHEDULE			
MARK	QTY	SIZE / RATING	DESCRIPTION
N1	1	6" 150# RFSO	INLET
N2	1	6" 150# RFSO	OUTLET
N3	2	1/2" 3000# NPT	PRESSURE GAUGE
N4	1	1/2" 3000# NPT	VENT
N5	1	2" 3000# NPT	CLEAN DRAIN
N6	1	1/2" 3000# NPT	DIRTY DRAIN

VESSEL DESIGN CONDITIONS			
CODE: ASME SECTION VIII DIV. 1, 2017 EDITION			
M.A.W.P.: 150 PSI @ 400°F		M.D.M.T.: -50° F @ 150 PSI	
M.A.W.P.: FV PSI @ 400°F			
CORROSION ALLOWANCE: NONE		HYDROTEST PRESS: 210 PSI	
STAMP: U		SERVICE: LIQUID NON LETHAL	
PWHT: N/A		RADIOGRAPHY: N/A	
MATERIAL: SS304		GASKET: BUNA	

- NOTES:
- VESSEL WILL HOUSE (QTY=7) DOUBLE LENGTH BASKET.
  - DRY WEIGHT: 664.72 LBS
  - SHIPPING WEIGHT: 700 LBS
  - FLOODED WEIGHT: 1300 LBS
  - VESSEL VOLUME: 11.65 FT<sup>3</sup>



<p>THIRD ANGLE PROJECTION</p> <p>TOLERANCES-UNLESS OTHERWISE NOTED</p> <p>DECIMAL .X = ±.1" .XX = ±.02" .XXX = ±.005"</p> <p>FRACTIONAL = ±1/8"</p> <p>ANGULAR = ± 1°</p> <p>MAX. MACHINED SURFACE FINISH 125/√</p>	<p><b>FIL-TREK CORPORATION</b></p> <p>55 Stafford Court Cambridge, Ontario N1T 1B3 Canada</p> <p>Phone: (519) 623-7448 Fax: (519) 623-8807 Email: info@fil-trek.com Website: www.fil-trek.com</p>				
	<p>THIS DRAWING IS THE PROPERTY OF 'FIL-TREK CORPORATION' AND MUST NOT BE COPIED OR USED IN ANY WAY DETRIMENTAL TO THE CORPORATION</p> <p>EQUIPMENT: LP SERIES (BAG FILTER VESSEL)</p> <p>MODEL NO: S4LP24-712-6F-DA-150</p> <p>CUSTOMER:</p>				
<p>PARENT: NEW DESIGN</p>	<p>DRAWN: NV</p>	<p>DATE: 10/7/2018</p>	<p>SERIAL No. 002004-00340</p>	<p>Part No. 002004-00340</p>	<p>REV. No. 0</p>
	<p>CHK'D: JP</p>	<p>SCALE: NTS</p>	<p>REGISTERED AS 002004-00194B</p>		