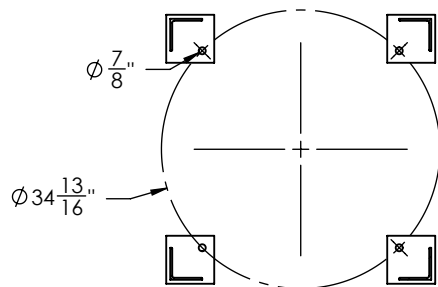
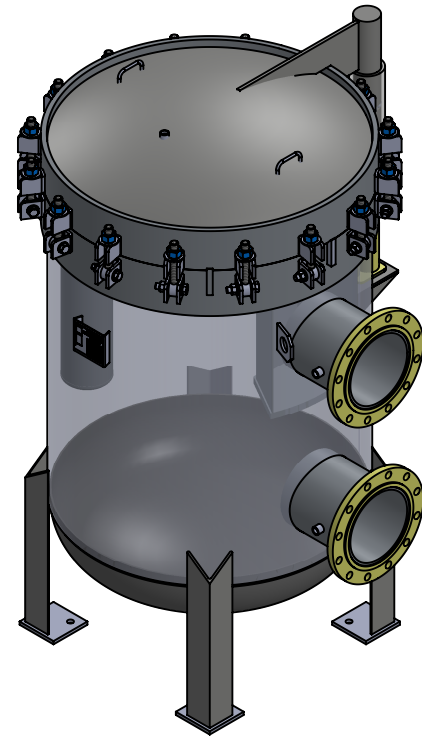
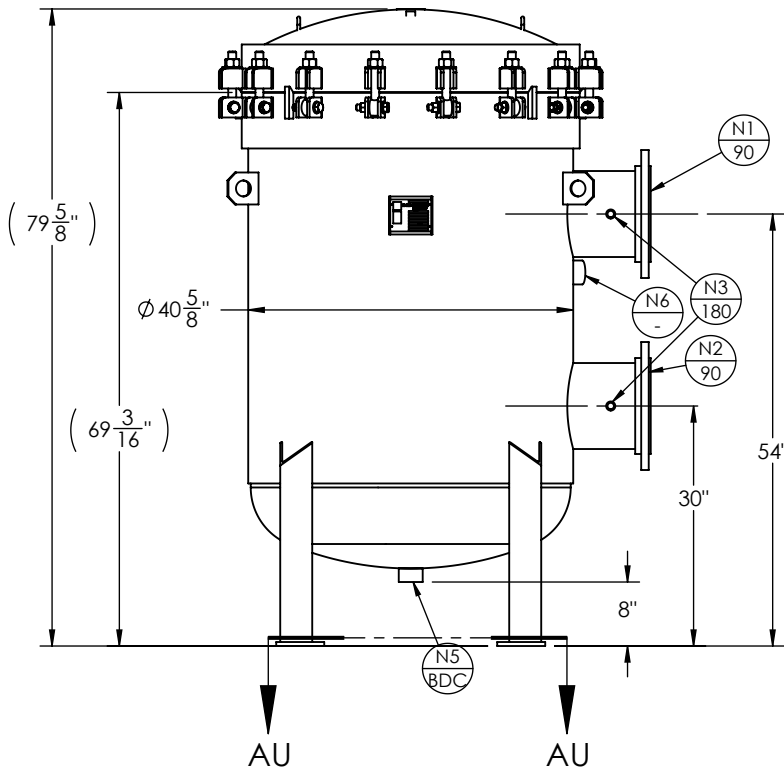


NOZZLE SCHEDULE			
MARK	QTY	SIZE / RATING	DESCRIPTION
N1	1	10" 150# RF50	INLET
N2	1	10" 150# RF50	OUTLET
N3	2	0.5" 3000# NPT	PRESSURE GAUGE
N4	1	0.5" 3000# NPT	VENT
N5	1	2" 3000# NPT	CLEAN DRAIN
N6	1	2" 3000# NPT	DIRTY DRAIN
VESSEL DESIGN CONDITIONS			
CODE: ASME SECTION VIII DIV. 1, 2015 EDITION			
M.A.W.P.: 150 PSI @ 400°F		M.D.M.T.: -20° F @ 150 PSI	
M.A.W.P.: FV PSI @ 400°F			
CORROSION ALLOWANCE: NONE		HYDROTEST PRESS: 195 PSI	
STAMP: U		SERVICE: NON LETHAL	
PWHT: NONE		RADIOGRAPHY: NONE	
MATERIAL: SS316		GASKET: BUNA	

- NOTE:
- VESSEL WILL HOUSE(QTY=18) SIZE 2 FILTER BASKETS.
  - VESSEL DRY WEIGHT: 1944LBS
  - VESSEL FLOODED WEIGHT: 4700 LBS
  - VESSEL SHIPPING WEIGHT: 2200 LBS
  - VESSEL VOLUME: 48 FT³



SECTION AU-AU

APPROVED WITH MARK-UPS  APPROVED

THIRD ANGLE PROJECTION	
TOLERANCES-UNLESS OTHERWISE NOTED	
DECIMAL	.X = ±.1" .XX = ±.02" .XXX = ±.005"
FRACTIONAL	= ±1/8"
ANGULAR	= ± 1°
MAX. MACHINED SURFACE FINISH	125 √

**FIL-TREK CORPORATION**  
 55 Stafford Court  
 Cambridge, Ontario  
 N1T 1B3  
 Canada

Phone: (519) 623-7448  
 Fax: (519) 623-8807  
 Email: info@fil-trek.com  
 Website: www.fil-trek.com

THIS DRAWING IS THE PROPERTY OF 'FIL-TREK CORPORATION' AND MUST NOT BE COPIED OR USED IN ANY WAY DETRIMENTAL TO THE CORPORATION

EQUIPMENT: LPD SERIES FILTER  
 MODEL NO: S6LP40-1812-10F-DA-150  
 CUSTOMER:

PARENT: NEW	DRAWN: GB	DATE: 17/07/2017	SERIAL No.	Part No. 002004-00182	REV. No. 0
CHK'D:	SCALE: NTS				