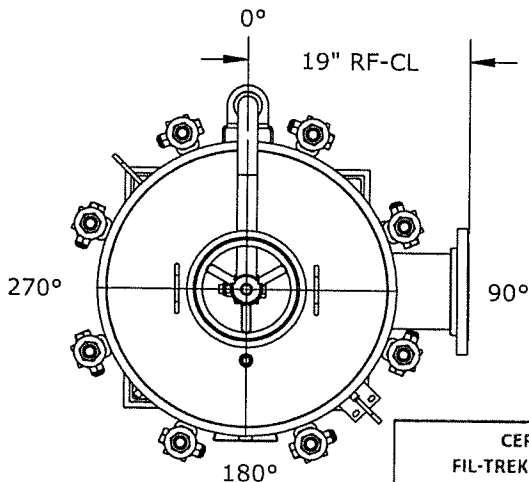


V15256



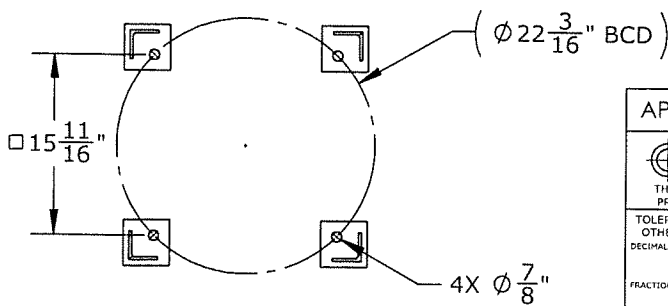
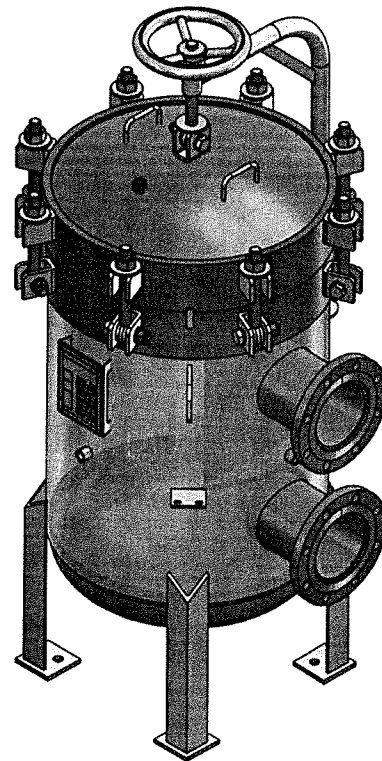
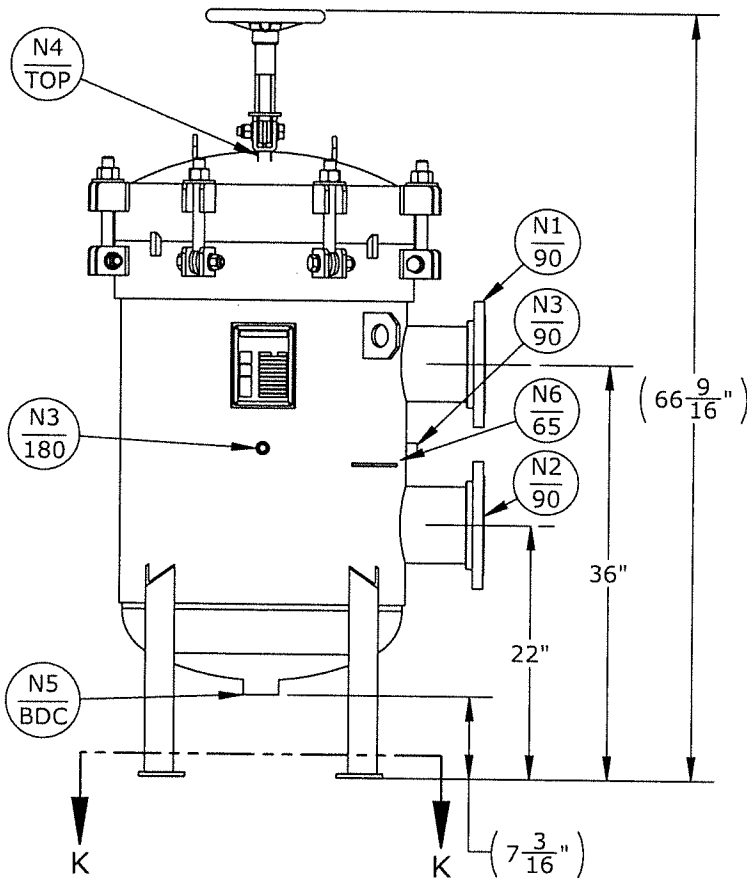
CERTIFIED BY
FIL-TREK CORPORATION
 Name: TK Date: 09/25/24

NOZZLE SCHEDULE			
MARK	QTY	SIZE / RATING	DESCRIPTION
N1	1	6" RFSO CL150	INLET
N2	1	6" RFSO CL150	OUTLET
N3	2	1/2" NPT CL3000	PRESSURE GAUGE
N4	1	1/2" NPT CL3000	VENT
N5	1	2" NPT CL3000	CLEAN DRAIN
N6	1	1/2" NPT CL3000	DIRTY DRAIN

VESSEL DESIGN CONDITIONS	
CODE: ASME SECTION VIII DIV. 1, 2023 EDITION	
M.A.W.P.: 150 PSI @ 400°F	M.D.M.T.: -20°F @ 150 PSI
M.A.W.P.: FV PSI @ 400°F	HYDROTEST PRESS: 210 PSI
CORROSION ALLOWANCE: N/A	SERVICE: UNK. LIQUID, NON-LETHAL
STAMP: U	RADIOGRAPHY: N/A
PWHT: N/A	GASKET: <input type="checkbox"/> BUNA <input type="checkbox"/> VITON <input type="checkbox"/> EPDM
MATERIAL: SS316	<input type="checkbox"/> OTHER:

NOTES:
 DRY WEIGHT: 540 LBS
 SHIPPING WEIGHT: 600 LBS
 VOLUME: 10.75 CU. FT.
 INTERNALS: 7x SIZE 2 BASKETS

FACTORY INSTALLED OPTIONS:
 STAINLESS STEEL BOLTING (SS316)
 MESH LINED BASKETS: _____ MESH
 N3 DIFFERENTIAL PRESSURE GAUGE
 TYPE: _____
 N4 PRESSURE RELIEF VALVE
 TYPE: _____
 N4 AIR ELIMINATOR
 TYPE: _____
 N4 VENT VALVE
 N5/N6 DRAIN VALVES



SECTION K-K
 SCALE 1 : 16

APPROVED WITH MARK-UPS APPROVED

<p>THIRD ANGLE PROJECTION</p> <p>TOLERANCES-UNLESS OTHERWISE NOTED</p> <p>DECIMAL .X = ±.1"</p> <p>FRACTIONAL .XX = ±.02"</p> <p>ANGULAR .X = ±.1°</p> <p>MAX. MACHINED SURFACE FINISH 125</p>	<p>FIL-TREK CORPORATION</p> <p>55 Stafford Court Cambridge, Ontario N1T 1B3 Canada</p> <p>Phone: (519) 623-7448 Fax: (519) 623-8807 Email: info@fil-trek.com Website: www.fil-trek.com</p>		
	<p>THIS DRAWING IS THE PROPERTY OF 'FIL-TREK CORPORATION' AND MUST NOT BE COPIED OR USED IN ANY WAY DETRIMENTAL TO THE CORPORATION</p> <p>EQUIPMENT: LP SERIES (BAG FILTER VESSEL)</p> <p>MODEL NO: S6LP24-712-6F-DA-150</p> <p>CUSTOMER: FTC STOCK</p>		
<p>VESSEL QUANTITY: 10</p>	<p>DRAWN: AJ DATE: 3/5/2020</p>	<p>SERIAL No. Part No. V15256 002004-01305</p>	<p>REV. No. 0</p>



FIL-TREK

INVOICE

FIL-TREK CORPORATION

55 STAFFORD COURT
 CAMBRIDGE ON N1T 1B3
 CANADA
 519 623-7448
 1 888 623-7448
 INFO@FIL-TREK.COM
 WWW.FIL-TREK.COM

INVOICE #	00077859
DATE	2025-03-21
CONTACT	(973) 839-5330

BUSINESS NUMBER: 87809 7195 RT0001

BILL TO	<i>ALL10049</i>
ALLIANCE GROUP P.O BOX 4250 WAYNE New Jersey 07474 USA	

SHIP TO	<i>ALL10049</i>
JVS INDUSTRIAL ATTN: NINO PH: 732-522-4610 8 GRAY ST WEST CALDWELL New Jersey 07006 USA	

PURCHASE ORDER	SALES ORDER	PACKING LIST	REFERENCE NUMBER	PAYMENT TERMS
174347	00052793	00067600		NET 30 DAYS

SALES REP	SHIP DATE	CARRIER	SHIP MODE
INSIDE VESSEL SALES	2025-03-21		PRE-PAID & CHARGE

#	QTY	ITEM	DESCRIPTION	PRICE	TOTAL
1	2 EACH	002004-01305	S6LP24-712-6F-DA-150 BAG FILTER VESSEL V15256 - 4 - 7	\$8,600.00	\$17,200.00
2	1 EACH	NSF	NSF/ANSI 61 CERTIFICATION	\$500.00	\$500.00
3	2 UN	009002-00220	O-RING EPDM 4166-1488-2-E	\$0.00	\$0.00
4	1 UN	FREIGHT	FREIGHT CHARGES	\$690.00	\$690.00

NOTES:
 V15256 -4 -7

USE CUSTOMERS PKSP
 CONSTRUCTION SITE-LIFT GATE SERVICE REQUIRED
 DELIVERY APPOINTMENT REQUIRED

SUBTOTAL	\$18,390.00
TAXES	\$0.00
TOTAL USD	\$18,390.00

All invoices issued under credit terms (NET 30, NET 45, NET 60, NET 90, ETC..) must be paid within the set terms. Failure to pay within the outlined terms (per order), FIL-TREK reserves the right to review/withdraw terms on a case-by-case basis and offer alternative temporary or permanent prepayment methods moving forward.

Packing Slip

Date	S.O No.
3/20/25	174347

Name/Address
Alliance Group P.O Box 4250 Wayne NJ 07474 Tel. 973-839-5930 Fax 973-839-5256

Ship To

JVS INDUSTRIAL
 8 GRAY ST
 WEST CALDWELL, NJ 07006
 Nino 732-522-4610

P.O No.	Ship Date	Ship Via
24197-15		TRUCK

Item	Description	Ordered	Shipped
S6LP24-712-6F-DA-150	316 SS ASME & NSF 61 CERTIFIED 7-BAG FILTER HSG.	2	2



FIL-TREK

SALES ORDER

FIL-TREK CORPORATION

55 STAFFORD COURT
 CAMBRIDGE ON N1T 1B3
 CANADA
 519 623-7448
 1 888 623-7448
 INFO@FIL-TREK.COM
 WWW.FIL-TREK.COM

BUSINESS NUMBER: 87809 7195 RT0001

SALES ORDER #	00052793
DATE	2025-03-14
CONTACT	(973) 839-5330

BILL TO	ALL10049
ALLIANCE GROUP P.O BOX 4250 WAYNE NJ 07474 USA	

SHIP TO	ALL10049
JVS INDUSTRIAL ATTN: NINO PH: 732-522-4610 8 GRAY ST WEST CALDWELL NJ 07006 USA	

PURCHASE ORDER	QUOTE	PURCHASE TERMS	CARRIER	FOB
174347	RF-240521-05	NET 30 DAYS	BEST WAY	OUR DOCK

SALES REP	CURRENCY	SHIP MODE	SHIP DATE
INSIDE VESSEL SALES	USD	PRE-PAID & CHARGE	2025-03-14

#	QTY	ITEM	DESCRIPTION	PRICE	TOTAL
1	2 EACH	002004-01305	S6LP24-712-6F-DA-150 BAG FILTER VESSEL V15256 - 4 - 7	\$8,600.00	\$17,200.00
2	1 EACH	NSF	NSF/ANSI 61 CERTIFICATION	\$500.00	\$500.00
3	2 UN	009002-00220	O-RING EPDM 4166-1488-2-E	\$0.00	\$0.00

NOTES:

* Ship date subject to change pending approval drawing.
 V15256 -4 -7

USE CUSTOMERS PKSP
 CONSTRUCTION SITE-LIFT GATE SERVICE REQUIRED
 DELIVERY APPOINTMENT REQUIRED

SUBTOTAL	\$17,700.00
TAXES	\$0.00
TOTAL USD	\$17,700.00

2 skids
 4 x 4x.74
 7.55 US\$

TO CXM: 690 USD
 CARRIER: ICEANES

Original Bill of Lading Not Negotiable			place pro number sticker here					
Shippers Name FIL-TREK CORPORATION						At point of pick up		
Street Number 55	Street Name STAFFORD COURT	Unit						
City CAMBRIDGE	Prov - State ON	postal code - zip code N1T1B3						
Consignee JVS INDUSTRIAL			At point of delivery					
Street Number 8 GRAY ST			Unit					
City WEST CALDWELL	Prov - State NJ	postal code - zip code 07006		Collect	Prepaid			
Attention			telephone Number					
Charges to address for invoice (if not the same as indicated above for P/U or delivery address)				Collect	Prepaid			
Name				Note: shipper shall be responsible for charges on all collect and 3rd party shipments for which the carrier does not get paid				
Street/PO Box No Street Name								
Unit				Shipper's Number or BOL Number V15256-4/-7				
City	Prov - State	postal code - zip code		Purchase Order Number 174347				

Received at the point of origin on the date specified, from the consignor mentioned herein, the property herein described in apparent good order, except as noted (contents and conditions of contents of package unknown) marked consignee and described below, which the carrier agrees to carry and to delivery to the consignee at the said destination. If on its own authorized route, or otherwise to cause to be carried by another carrier on the route to said destination, subject to the rates and classification in effect on the date of shipment
It's mutually agreed as to each carrier of all or any of the goods over all or any portion of the route to destination, and as to each party at any time interested in all or any of the goods, that every service to be performed hereunder shall be subject to all the conditions not prohibited by law, whether printed or written, including conditions on back herof, which are hereby agreed to by the consignore and are excepted for himself and his assigns.

Pieces	Description of goods and packaging - Class	Weight lb a kg a	Declared Valuation
2	STEEL EMPTY TANK	1510 LBS	Maximum liability of (\$2.00 per lb) \$4.41 per kg unless declared valuation states otherwise
			\$ _____
			C.O.D.
			\$ _____
			Amount
			Funds Type (check one only)
			a Cdn a US
2 Total	Port of clearance a City a Inland a Pars	1510 Total LBS	C.O.D. Collection Fee a Collect a Prepaid

Papers Faxed to RUSSELL A. FARROW (US) INC.

NOTICE OF CLAIM

Name of Broker

a) No carrier is liable for loss, damage or delay to any goods earned under the Bill of Lading unless notice thereof setting out particulars of the origin, destination and date of shipment of the goods and the estimated amount claimed in respect of such loss, damage or delay is given in writing to the originating carrier or the delivering carrier within sixty (60) days after the delivery of the goods, or in the case of failure to make delivery, within nine (9) months from the date of shipment

b) The final statement of the claim must be filled within (9) months from the date of shipment together with a copy of the paid freight bill.

Number of feet used % cube of trailer actual dimensions		loading diagram		LCr01J Y O O	
Consignor's Signature	Driver's Signature	a Single shipment		Consignee's Signature	
Date	Date	Count	Seal Number	Date	

TO THE CONSIGNEE :
IF THERE'S ANY DAMAGE ON THE SKIDS, PLEASE MAKE A NOTE ON THE DELIVERY/ RECEIVING RECEIPT / POD
WITHOUT DETAILS, CLAIMS MAY NOT BE PROCESSED

Max 2/25

Jilliane Bunag

From: Heather Schneider <heathers@powerlinelogistics.com>
Sent: Thursday, March 20, 2025 4:01 PM
To: Jilliane Bunag; dispatch@powerlinelogistics.com
Subject: RE: V15256-4/-7

Hey Jilliane,

We could move this one for **\$765.00 CAD** (includes TG delivery @ construction site/appt), delivery ETA will be Thursday next week (March 27th).

Please let me know if you'd like us to book this in, thank you!

Heather

From: Jilliane Bunag <jbunag@Fil-Trek.com>
Sent: Thursday, March 20, 2025 3:28 PM
To: Heather Schneider <heathers@powerlinelogistics.com>; dispatch@powerlinelogistics.com
Subject: V15256-4/-7

Hi Heather,

Please quote the below shipment.

Ship to – JVS INDUSTRIAL
8 GRAY ST
WEST CALDWELL NJ 07006
USA

2 SKIDS
48X48X74
755 LBS EACH

TOTAL WEIGHT: 1510 LBS

CONSTRUCTION SITE-LIFT GATE SERVICE REQUIRED
DELIVERY APPOINTMENT REQUIRED

Best Regards,



Jilliane Bunag
Logistics Coordinator/Fil-Trek Corporation
p: (519)623-7448 ext 176 f: (519)623-8807
w: www.fil-trek.com e: jbunag@fil-trek.com

Purchase Order:174347

**Alliance Group
P.O Box 4250
Wayne NJ 07474
Tel. 973-839-5930
Fax 973-839-5256**

Date	Date Required
3/18/25	ASAP

**SHIP w/ ALLIANCE PACKING LIST
SHIP PP&A**

Ship To

W/A

FIL-TREK

Item	Description	Quantity	Price	Amount
S6LP24-712-6F-DA-150	316 SS ASME STAMPED NSF 61 HSG EPDM O-RING	2	8,600	\$ 17,200.00
NSF 61 CERTIFICATION		1	500	500.00
	SHIPPING ADDRESS TO FOLLOW SHORTLY WITH PACKING LIST			
	PLEASE CONFIRM NO TARIFF TO BE CHARGED ON THIS ORDER			

Please Confirm Receipt Of This Purchase Order

Total: \$ 17,700.00



QUOTE

Customer Name Bob Gannon
 Company Alliance Group
 Phone Number
 Email rgannonalliance@aol.com

Quote Number RF-240521-05
 Quote Date 2025-03-14
 Revision Number 2
 Customer Tag #

Quoted By Gianpaolo Lenarduzzi
 Phone Number (519) 623-7448 ext 156
 Email glenarduzzi@fil-trek.com

Customer Project #

Item	Model Number	Description	P/N	Qty	Price Ea	Total Price
1	Required Start-Up Items					
2	S6LP24-712-6F-DA-150	LP Series Vessel *Tariffs included	002004-01305	2	\$4,300.00	\$8,600.00
3	Engineering & Service	-	-	2	\$4,300.00	\$8,600.00
4	O-RING - NSF61 EPDM	Closure O-Ring (5 MOQ)	-	5	\$265.00	\$1,325.00
5	NSF Certification	NSF Certification fee	-	1	\$500.00	\$500.00
6	Total					\$19,025.00
7						
8	MPG-PO-5-2-BN-NSF61	Mera Felt NSF61 Bag (4/box)	-	16	\$98.41	\$1,574.56
9						
10	Optional - Accessories					
11	5 Year Warranty	Extended Warranty Fee	-	2	\$500.00	\$1,000.00
12	1/2" BALL VALVE NSF 2 pc	Vent	019002-00059	4	\$212.00	\$848.00
13	2" Ball Valve NSF 2 pc	Drains	019002-00387	2	\$588.00	\$1,176.00
14	Direct Reading PG - NSF61	NSF61 Pressure Gauge	-	2	\$100.00	\$200.00
15	Total					\$3,224.00
16						
17						
18	Freight <u>Estimate</u>	Freight to		1	Currency USD \$0.00	\$0.00

NOTES - NO APPROVAL REQUIRED MEANS VESSEL MANUFACTURED AS PER DRAWING

Lead Time Stock weeks ARO

Approval Required* No

If approval is not required the housing will be manufactured in accordance with the drawing supplied with this quote.

No approval drawings will be submitted after receipt of Purchase Order.

Additional Costs Not Included in Pricing Above

-Certified Shipping Documents from the Chamber of Commerce are not included. Add \$300 if required (typically overseas).

Payment via Credit Card 2.4% of total value

Payment via Wire Transfer \$50.00 per transfer

[Click here to review all terms and conditions](#)

IncoTerms ExWorks our factory, Cambridge, ON

Payment Terms: 100% Net 30 subject to approved credit check

Tariffs & Taxes not included, unless otherwise stated

Quote Outline	
Pg	Description
1	Pricing and Commercial
2	Process Information
3	Vessel and Mechanical Information
4	Inspection & Test Plan
5	Technical and Commercial Clarification worksheet

Quote Number

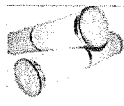
RF-240521-05

Quote Date

2025-03-14

Revision Number

2

Rev	GENERAL INFORMATION				VESSEL DESIGN			Rev
1	Tag Number(s)							
2	Project Number							
3	MODEL NUMBER	S6LP24-712-6F-DA-150		Number of Filters/vessel	7		42	
4	# Vessels	2		Description of Filters	Size two filter bag		43	
5	Drawing Number	002004-01305					44	
6	Family	002004		Filter Supports	SS316 Size 2 baskets 1/8" perf on 3/16" centers		45	
7	OPERATING CONDITIONS				PROCESS INFORMATION			46
8	Fluid/Gas Description #1			Clean DP through Housing	-	psi	47	
9	Fluid/Gas Description #2			Clean DP through Filters		psi	48	
10	State (gas, liquid, solid)			Total Pressure Drop	0.00	psi	49	
11	Contaminant #1			"Dirty" change out	15	psi	50	
12	Contaminant #2			Flux Rate		gpm/ft2	51	
13	Operating Pressure		psi	Flow Rate per	bag	71.43	gpm	52
14	Operating Temperature		°F	Filter Surface Area	-	ft2	53	
15	Minimum Operating Temperature		°F	Basket Surface Area	-	ft2	54	
16	Density of Fluid		lb/ft3	Basket Open Area	-	ft2	55	
17	Viscosity		cP	Flow Direction	Inside / Out		56	
18	Specific Gravity			Filter Efficiency	99.00%		57	
19	Flow Rate	500	gpm	Velocity thru Vessel	-	ft/s	58	
20	Desired Clean Pressure Loss		psi	Vessel Head Loss	-	ft	59	
21	Required Micron Rating			Est. Filter Change Interval		days	60	
22	Removal Efficiency			Calculated Gas Flow		ACFM	61	
23	Particulate Volume		ppm				62	
24	Gas Molecular Weight						63	
25	FILTER INFORMATION							64
26		Option 1		Option 2		Option 3	65	
27	Filter Part Number	MPG-PO-5-2-BN-NSF61		-		-	66	
28	Filter Type	NSF61 Pleated Bag Filter		-		-	67	
29	Media	NSF61 Polypropylene		-		-	68	
30	Micron Rating	5		-		-	69	
31	Outside Diameter	Size 2		-		-	70	
32	Length	Size 2		-		-	71	
33	Core Material	-		-		-	72	
34	End Cap Material	NSF61 Polyethylene		-		-	73	
35	O-Ring/Gasket	Buna N - NSF61		-		-	74	
36	Flange Material	NSF61 Polypropylene		-		-	75	
37							76	
38	Image						77	
39								78
40								79
41								80



QUOTE

Quote Number RF-240521-05

Quote Date 2025-03-14

Revision Number 2

Rev	GENERAL INFORMATION							VESSEL DESIGN		Rev	
1	Tag Number(s)										
2	Project Number										
3	MODEL NUMBER			S6LP24-712-6F-DA-150				Number of Filters/vessel	7	42	
4	# Vessels			2				Description of Filters	Size two filter bag	43	
5	Drawing Number			002004-01305						44	
6	Family			002004				Filter Supports	SS316 Size 2 baskets 1/8" perf on 3/16" centers	45	
7	DESIGN CONDITIONS									46	
8	Design Pressure		150				psi	Shell	SA240 316/L	47	
9	Design Temperature		400				°F	Heads	SA240 316	48	
10	MDMT		-20				°F	Flanges	SA182 F316	49	
11	Corrosion Allowance		N/A				in	Flange Gaskets	-	50	
12	Design Specification		ASME Section VIII Div. 1 - U					Pipe	SA312 TP316	51	
13								Couplings/Fittings	SA182 F316 B16.11	52	
14	VESSEL DIMENSIONS							Internal Supports		SA240 316	53
15	Shell OD		24.50				in	Fasteners	SA193 B7 YZP	54	
16	Shell ID		24.13				in	External Attachments	SS304	55	
17	Shell Seam to Seam		28.31				in	Davit Type	MECH W HANDWHEEL	56	
18	Volume		7.00				ft3	Davit Material	SS304	57	
19	Empty Weight		540.00				lb	Closure Type	SWING BOLTS W/ HEX	58	
20	Operational Weight		-				lb	Closure Seal Material	NSF61 EPDM	59	
21	Overall Elevation		66.44				in	Closure Seal Type	O-RING	60	
22	Orientation		Vertical					Material Restrictions	-	61	
24	CONNECTIONS							TESTING AND INSPECTION		63	
25	Mark	Service	Qty	Size	Rating	Type	Hydro Test Pressure	210	64		
26	N1	Inlet	1	6	150	RFSO	Hydro Test Duration		65		
27	N2	Outlet	1	6	150	RFSO	Radiography	N/A	66		
28	N3	Gauge Port	2	1/2	3000	NPT	PT Testing	N/A	67		
29	N4	Vent	1	1/2	3000	NPT	UT Testing	N/A	68		
30	N5	Clean Drain	1	2	3000	NPT	MP Testing	N/A	69		
31	N6	Dirty Drain	1	1/2	3000	NPT	PWHT	N/A	70		
32	N7		-	-	-	-	Impact Testing	N/A	71		
33	N8		-	-	-	-	Hardness Testing	N/A	72		
34	N9						PMI	N/A	73		
35	N10						Visual	N/A	74		
36	PAINTING/COATING									75	
		Internal			External						
37	Step 1	Bead blast sspc-sp6 using glass beads (no paint)				Bead blast sspc-sp6 using glass beads (no paint)				76	
38	Step 2	None				None				77	
39										78	
40	Step 3	None				None				79	
41										80	

Note: Nozzles attached to the vessel shall not be used to support pipe spools or other pipeline equipment. When required, Fil-Trek will provide the maximum allowable nozzle loadings after the vessel design is completed. This RFQ will take exception to nozzle loading specifications exceeding the maximum allowable nozzle loadings as defined above, it is the clients responsibility to properly support inline piping.



QUOTE

- R Review only
- H Mandatory witness
- W Optional witness. Notification required.
- M Monitor. Observe at any time.

Quote Number RF-240521-05

Quote Date 2025-03-14

Revision Number 2

	SUBMITTAL	WEEKS	FIL-TREK QC	A.I.	CLIENT	R	H	W	M
DESIGN	General Arrangement Drawing	2	ARO	Y					
	ITP & Traveler		ARO	Y					
	Weld Procedure(s)		ARO	Y					
	Weld Map		ARO	Y					
	Calculations		ARO	Y					
	NDE Procedures and NDE Map		ARO	if applicable					
PRIOR TO MANUFACTURING	Pre-Inspection Meeting		ARAD						
	Uncontrolled QA Manual		ARAD						
	Material Test Certificates (MTRs)		ARAD	Y					
	Welder's Qualification		ARAD	Y					
	NDT Personnel Qualifications		ARAD	if applicable					
	PMI Procedure		ARAD						
	Painting/Coating Procedure		ARAD						
	Hydrotest Procedure		ARAD	Y					
DURING MANUFACTURING	Fit-Up Inspection		ARAD	if applicable					
	Welding in accordance with WPS		ARAD	if applicable					
	Production test coupons		ARAD	if applicable					
	Internal Inspection		ARAD	if applicable					
	Post Weld Heat Treatment		ARAD	if applicable					
	Radiographic Examinations		ARAD	if applicable					
	Other NDE (UT, MT, DP, LP)		ARAD	if applicable					
	Non-Conformance Reports		ARAD	if applicable					
	In-Process Dimensional Inspection		ARAD						
FINAL TESTING & INSPECTION	Dimensional Inspection		ARAD						
	Visual Inspection		ARAD	Y					
	Repad Test		ARAD	if applicable					
	Hydrotest		ARAD	Y					
	Surface Preparation Inspection		ARAD						
	Painting/Coating Inspection		ARAD						
	Marking and Preservation Inspection		ARAD						
AFTER SHIPMENT	Manufacturer Data Book			Y					
	Shipping Release Note								



QUOTE

Quote Number **RF-240521-05**
 Quote Date 2025-03-14
 Revision Number 2

Technical and Commercial Clarification worksheet

Item No.	Bidder Clarification / Exception	Client Response	Open/Closed
1			
2			
3			
4			
5			
6			
7			
8			
9			
10			
11			
12			

To whom it may concern,

Due to the recent tariffs that have been threatened and applied and then threatened again by the US Government on Canadian shipments Fil-Trek is proposing two pricing/payment options:

Plan A.

Price and quote as per usual and pay the 25% tariff only if it is applied by the US Government at the time of shipping.

Filter Vessel Value	\$8,600
Tariff (25%)	\$2,150
Total	\$10,750

The tariff fee would be invoiced as a separate line.

Plan B.

Split the Quote and PO into two separate entities. The 1st Entity is the Filter Vessel, and the 2nd Entity is the service and engineering.

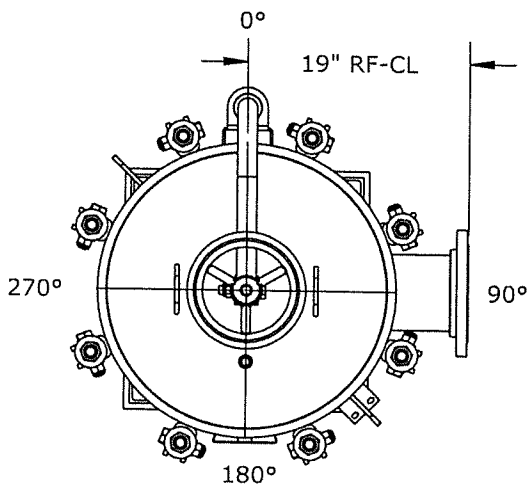
Plan B removes the tariff payment.

PO #1 Value	\$4,300.00 (Filter Vessel)
PO #2 Value	\$4,300.00 (Service and Engineering)

The two (2) PO's would be invoiced separately.

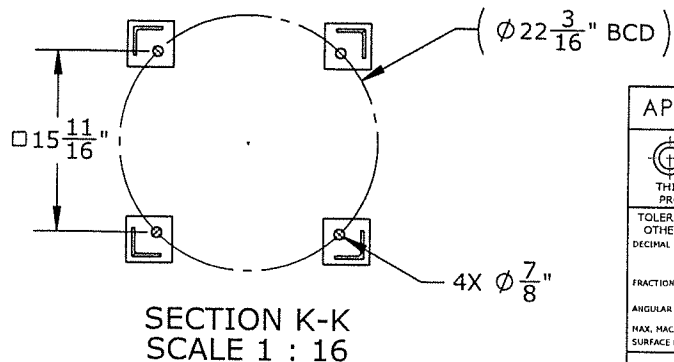
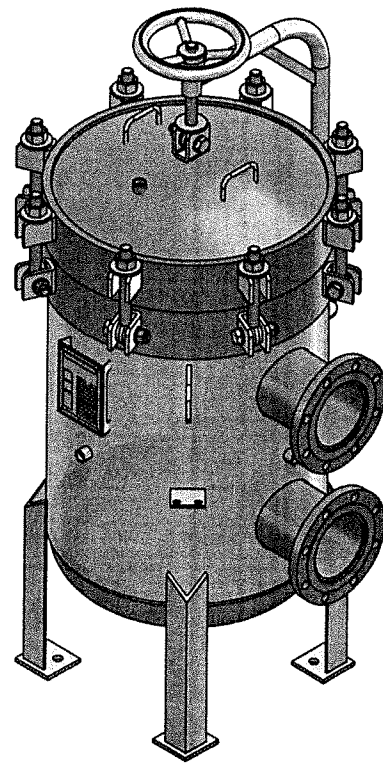
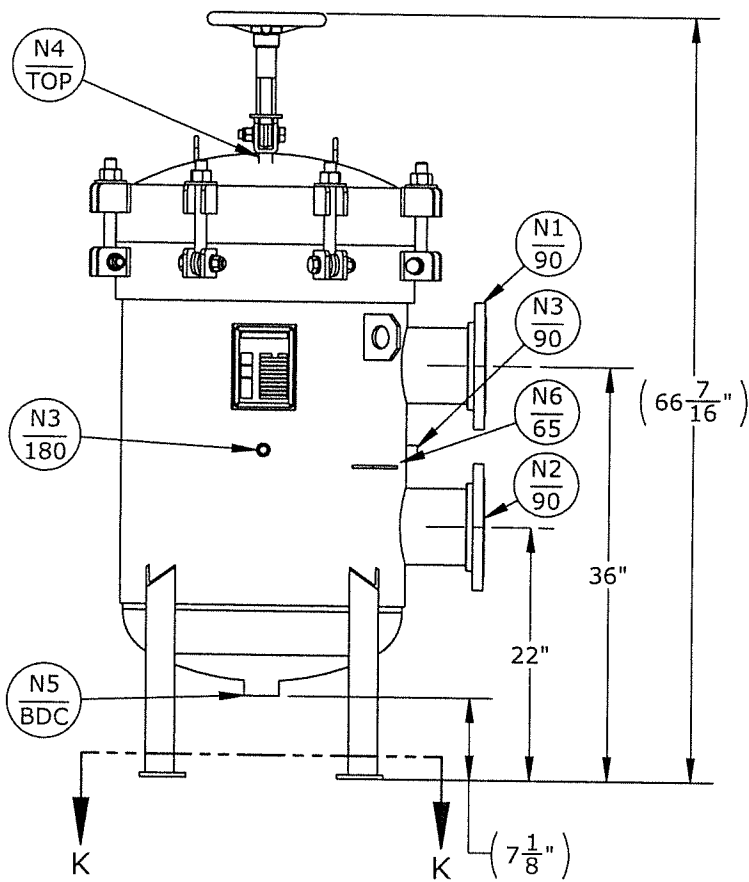
The reason for splitting out the Engineering and Service is to remove those expenses that tariffs do not apply to as part of the goods manufactured.

If you have any questions or concerns, please feel free to contact our President Paul Thomason (paul@fil-trek.com) or Fil-trek Owner Lou Faustini (lou@fil-trek.com)



NOZZLE SCHEDULE			
MARK	QTY	SIZE / RATING	DESCRIPTION
N1	1	6" RFSO CL150	INLET
N2	1	6" RFSO CL150	OUTLET
N3	2	1/2" NPT CL3000	PRESSURE GAUGE
N4	1	1/2" NPT CL3000	VENT
N5	1	2" NPT CL3000	CLEAN DRAIN
N6	1	1/2" NPT CL3000	DIRTY DRAIN

VESSEL DESIGN CONDITIONS	
CODE: ASME SECTION VIII DIV. 1, 2019 EDITION	
M.A.W.P.: 150 PSI @ 400°F	M.D.M.T.: -20°F @ 150 PSI
M.A.W.P.: FV PSI @ 400°F	HYDROTEST PRESS: 210 PSI
CORROSION ALLOWANCE: N/A	SERVICE: UNK. LIQUID, NON-LETHAL
STAMP: U	RADIOGRAPHY: N/A
PWHT: N/A	GASKET: <input type="checkbox"/> BUNA <input type="checkbox"/> VITON <input type="checkbox"/> EPDM
MATERIAL: SS316	<input type="checkbox"/> OTHER: _____
NOTES:	
DRY WEIGHT: 540 LBS	
SHIPPING WEIGHT: 600 LBS	
VOLUME: 10.75 CU. FT.	
INTERNALS: 7x SIZE 2 BASKETS	
FACTORY INSTALLED OPTIONS:	
<input type="checkbox"/> STAINLESS STEEL BOLTING (SS316)	
<input type="checkbox"/> MESH LINED BASKETS: _____ MESH	
<input type="checkbox"/> N3 DIFFERENTIAL PRESSURE GAUGE	
TYPE: _____	
<input type="checkbox"/> N4 PRESSURE RELIEF VALVE	
TYPE: _____	
<input type="checkbox"/> N4 AIR ELIMINATOR	
TYPE: _____	
<input type="checkbox"/> N4 VENT VALVE	
<input type="checkbox"/> N5/N6 DRAIN VALVES	



APPROVED WITH MARK-UPS <input type="checkbox"/>		APPROVED <input type="checkbox"/>	
 THIRD ANGLE PROJECTION		 FIL-TREK CORPORATION	
TOLERANCES-UNLESS OTHERWISE NOTED DECIMAL .X = ±.1" .XX = ±.02" .XXX = ±.005" FRACTIONAL = ±1/16"		55 Stafford Court Cambridge, Ontario N1T 1B3 Canada	
ANGULAR = ± 1° MAX. MACHINED SURFACE FINISH 125 ✓		Phone: (519) 623-7448 Fax: (519) 623-8807 Email: info@fil-trek.com Website: www.fil-trek.com	
THIS DRAWING IS THE PROPERTY OF 'FIL-TREK CORPORATION' AND MUST NOT BE COPIED OR USED IN ANY WAY DETRIMENTAL TO THE CORPORATION			
EQUIPMENT: LP SERIES (BAG FILTER VESSEL)		MODEL NO: S6LP24-712-6F-DA-150	
CUSTOMER:			
VESSEL QUANTITY:	DRAWN: AJ	DATE: 2020-03-05	SERIAL No. Part No. 002004-01305
CHK'D: TS	SCALE: NTS		REV. No. 0