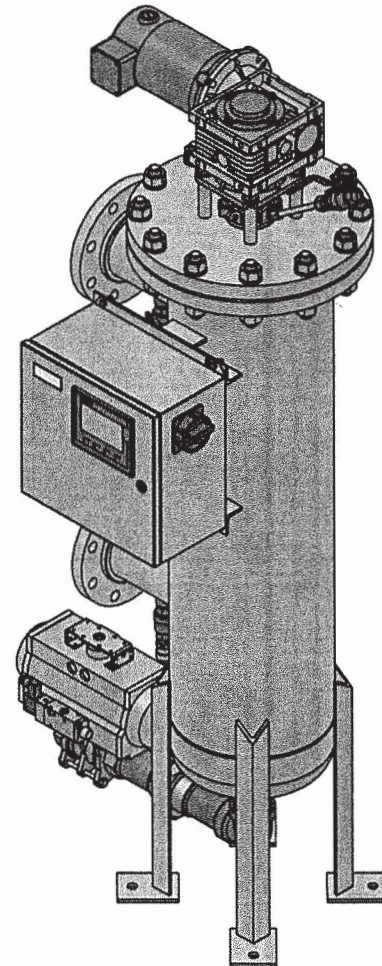
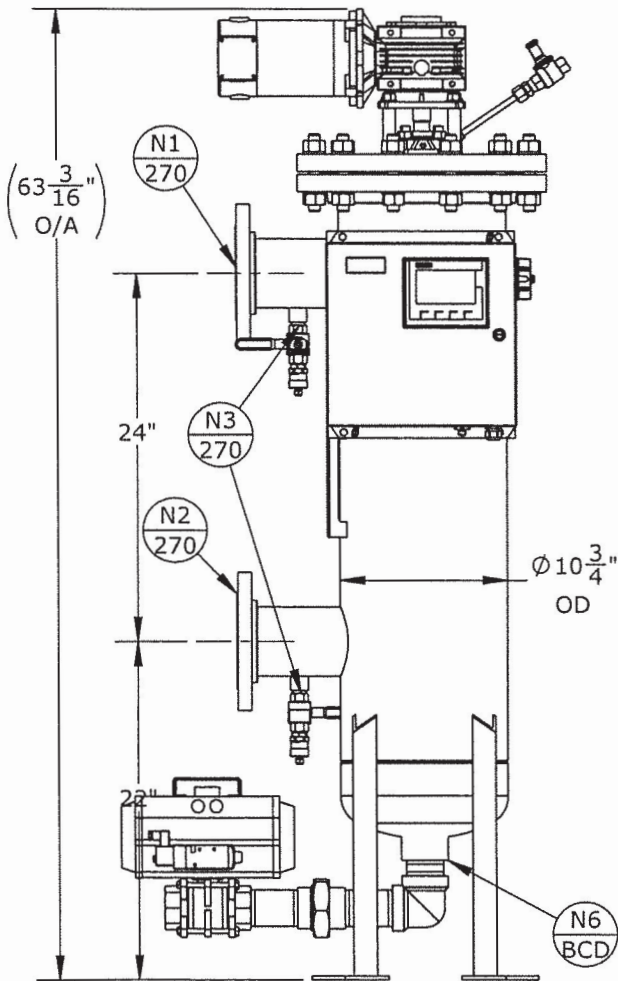


NOZZLE SCHEDULE			
MARK	QTY	SIZE / RATING	DESCRIPTION
N1	1	4" 150# RFSO	INLET
N2	1	4" 150# RFSO	OUTLET
N3	2	1/2" 3000# NPT	PRESSURE GAUGE
N4	1	1/4" NPT (THRU MECH SEAL)	VENT
N5	1		CLEAN DRAIN
N6	1	2" 3000# NPT	DIRTY DRAIN

VESSEL DESIGN CONDITIONS	
CODE:	ASME SECTION VIII DIV. 1, 2017 EDITION
M.A.W.P.:	150 PSI @ 200°F
M.D.M.T.:	-20° F @ 150 PSI
M.A.W.P.:	FV PSI @ 200°F
CORROSION ALLOWANCE:	N/A
HYDROTEST PRESS:	195 PSI
STAMP:	UM
SERVICE:	NON LETHAL
PWHT:	N/A
RADIOGRAPHY:	N/A
MATERIAL:	SS304
GASKET:	SPIRAL WOUND

- NOTES:
1. AUTOMATED SELF-CLEANING STRAINER
 2. 120VAC CONTROL POWER
 3. PNEUMATIC ACTUATED BLOWDOWN VALVE



CERTIFIED BY
FIL-TREK CORPORATION
 Name: NG Date: 2023-08-09

 THIRD ANGLE PROJECTION TOLERANCES-UNLESS OTHERWISE NOTED DECIMAL .X = ±.1" .XX = ±.02" .XXX = ±.005" FRACTIONAL ±1/8" ANGULAR ±.1° MAX. MACHINED SURFACE FINISH 125 ✓			FIL-TREK CORPORATION 55 Stafford Court Cambridge, Ontario N1T 1B3 Canada		Phone: (519) 623-7448 Fax: (519) 623-8807 Email: info@fil-trek.com Website: www.fil-trek.com
	THIS DRAWING IS THE PROPERTY OF FIL-TREK CORPORATION AND MUST NOT BE COPIED OR USED IN ANY WAY DETRIMENTAL TO THE CORPORATION				
EQUIPMENT:		AUTOMATED STRAINER			
MODEL NO:		S498-4F-X-S6-PT2-L2			
CUSTOMER:		STOCK			
PARENT: NONE	CHK'D: TS	DRAWN: NG DATE: 09/09/2023 SCALE: NTS	SERIAL No. V14339 Part No. 003011-00051	REV. No. 0	