

NOZZLE SCHEDULE

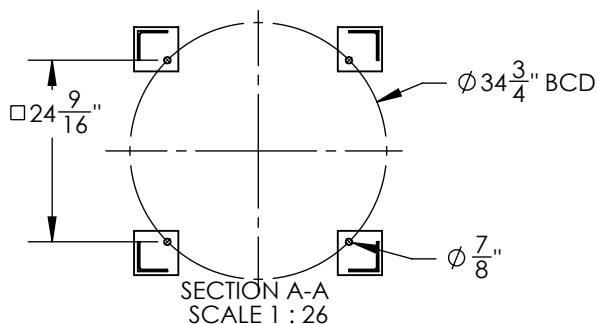
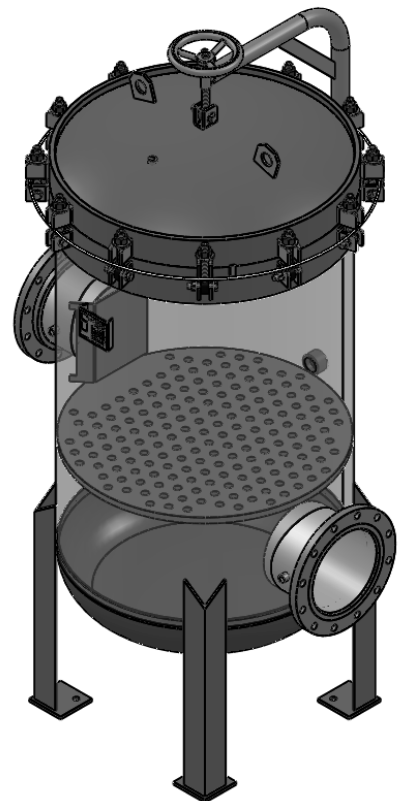
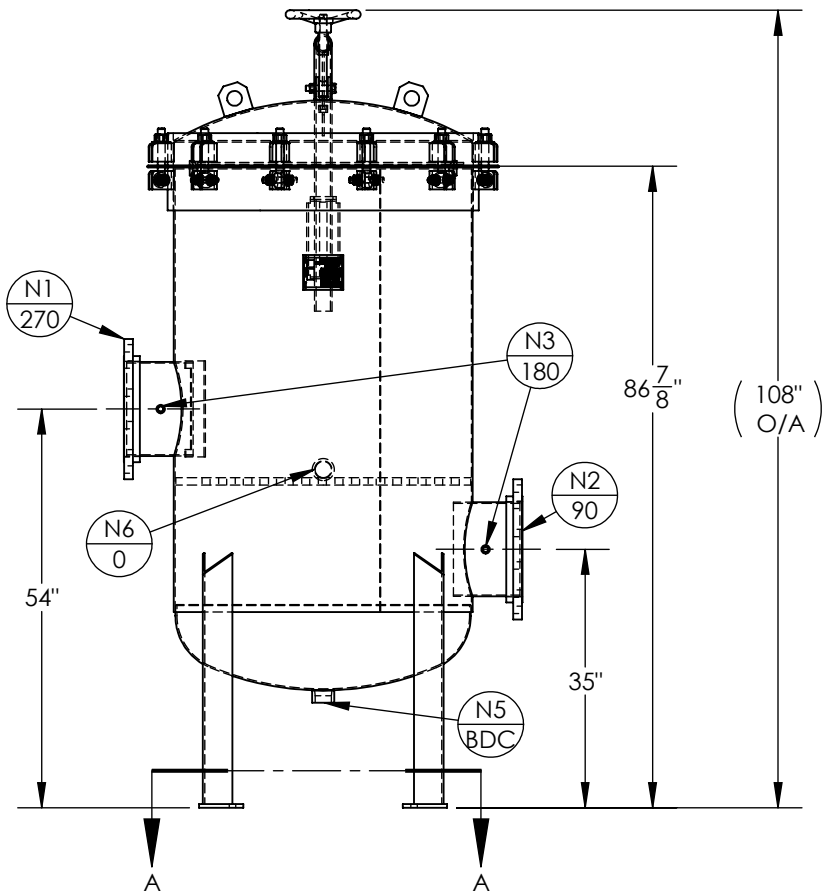
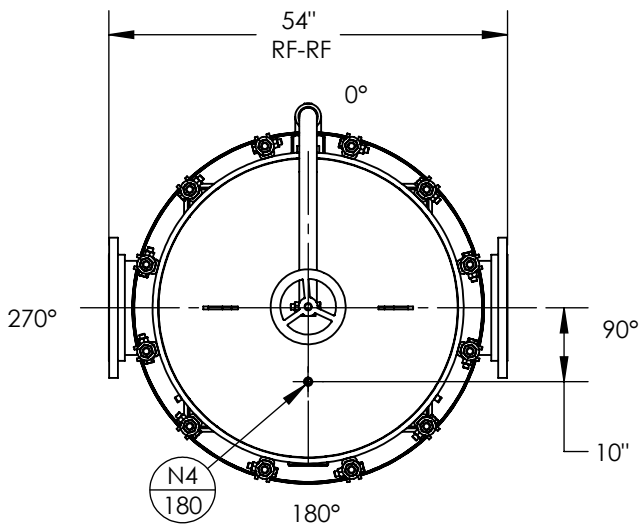
MARK	QTY	SIZE / RATING	DESCRIPTION
N1	1	12" 150# RFSO	INLET
N2	1	12" 150# RFSO	OUTLET
N3	2	1/2" 3000# NPT CPL	PRESSURE GAUGE
N4	1	1/2" 3000# NPT CPL	VENT
N5	1	2" 3000# NPT CPL	CLEAN DRAIN
N6	1	2" 3000# NPT CPL	DIRTY DRAIN

VESSEL DESIGN CONDITIONS

CODE:	ASME SECTION VIII DIV. 1, 2017 EDITION		
M.A.W.P.:	100 PSI @ 250°F	M.D.M.T.:	-20° F @ 100 PSI
M.A.W.P.:	FV PSI @ 250°F		
CORROSION ALLOWANCE:	NONE	HYDROTEST PRESS:	130 PSI
STAMP:	U	SERVICE:	NON LETHAL
PWHT:	N/A	RADIOGRAPHY:	N/A
MATERIAL:	SS 316	GASKET:	BUNA-N

NOTES:

1. VESSEL DRY WEIGHT: 1701 LBS.
2. SHIPPING WEIGHT: 1700 LBS.
3. FLOODED WEIGHT: 3700 LBS.
4. VESSEL VOLUME: 33.25 FT³
5. VESSEL WILL HOUSE (QTY=180) 2.5"OD x 40" LG DOE CARTRIDGES.



<p>THIRD ANGLE PROJECTION</p> <p>TOLERANCES-UNLESS OTHERWISE NOTED</p> <p>DECIMAL .X = ±.1" .XX = ±.02" .XXX = ±.005"</p> <p>FRACTIONAL = ±1/8"</p> <p>ANGULAR = ± 1°</p> <p>MAX. MACHINED SURFACE FINISH 125/√</p>	<p>FIL-TREK CORPORATION</p> <p>55 Stafford Court Cambridge, Ontario N1T 1B3 Canada</p> <p>Phone: (519) 623-7448 Fax: (519) 623-8807 Email: info@fil-trek.com Website: www.fil-trek.com</p>				
	<p>THIS DRAWING IS THE PROPERTY OF 'FIL-TREK CORPORATION' AND MUST NOT BE COPIED OR USED IN ANY WAY DETRIMENTAL TO THE CORPORATION</p>				
EQUIPMENT:		CIP CARTRIDGE FILTER K55-D-2050			
MODEL NO:		S6GL40-180-4-12F-100			
CUSTOMER:		STOCK			
PARENT: NEW DESIGN	DRAWN: JJJ	DATE: 7/2/2017	SERIAL No. V9330	Part No. 001001-00249	REV. No. 0
	CHK'D: CW	SCALE: NTS			