



FRP-UFH SERIES

Fibreglass Reinforced Plastic Ultra Flow Cartridge Filter Housings

- Horizontal Orientation
- Flow rates up to 8,000 GPM
- Industrial Design

The UFH Series uses fibreglass reinforced plastic construction to handle corrosive liquids while providing high flow rates in a compact design.



SUITABLE USES



Air & Gas



Desalination



Coolant



Water



Electronics



Coatings



Oil & Gas



Chemical



Pulp & Paper



Power



Marine



Equipment

COMPATIBLE MEDIA Fil-Trek Ultra Flow Series

DESIGN PRESSURE 100 PSIG (6.9bar) @ 150°F (65°C)

AVAILABLE MATERIALS Vessels available in Fibreglass reinforced plastic (FRP)

ADDITIONAL FEATURES Vessel material has a longer life expectancy when dealing with corrosive liquids, such as; sea water and brackish water.

Custom sizes, configurations, materials of construction and other options may be available. Please contact Fil-Trek

For drawings, flow charts, custom applications and filter cartridge information please visit www.fil-trek.com.

FRP-UFH SERIES

Fibreglass Reinforced Plastic
Ultra Flow Cartridge Filter Housings

- Horizontal Orientation
- Flow rates up to 8,000 GPM
- Industrial Design



HOUSING SPECIFICATIONS

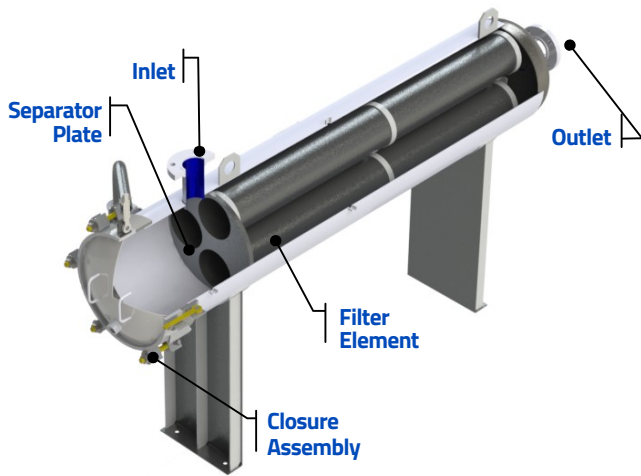
*Indicates standard configuration

Inlet/Outlet	3" Flange -24" Flange
Clean Drain	2" Flange
Vent	2" Flange
Gauges	2" Flange

MODEL FLOW RATES

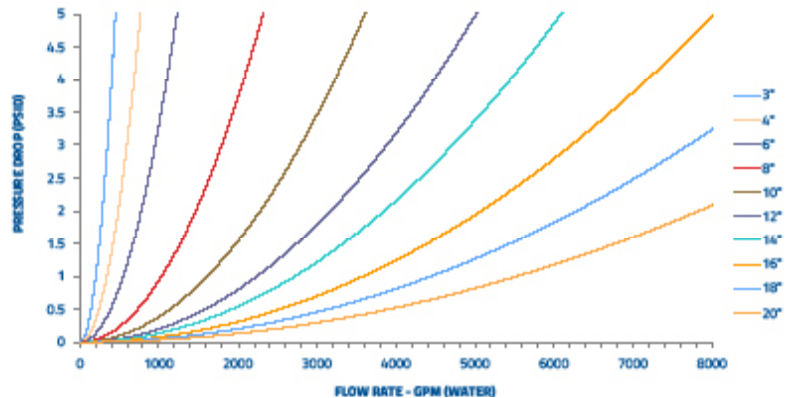
MODEL	# OF FILTERS	FLOW RATE GPM 40"	FLOW RATE GPM 60"	MAX INLET/OUTLET (IN)
FRP-UFH16	3	525	750	6"
FRP-UFH18	4	700	1000	8"
FRP-UFH20	5	875	1250	8"
FRP-UFH24	7	1225	1750	10"
FRP-UFH30	10	1750	2500	12"
FRP-UFH36	17	2975	4250	16"
FRP-UFH42	20	3500	5000	18"
FRP-UFH48	28	4900	7000	20"
FRP-UFH50	32	5600	8000	24"

For maximum efficiency/product life, the flow rates are based on water. Actual Flow rate is dependent on fluid viscosity, cartridge micron rating, contaminant and type of media.



FLOW CHART

HOUSING PRESSURE DROP vs LIQUID FLOW RATE



COMPATIBLE FILTERS

UF SERIES FILTERS

Absolute rated, pleated media filters that suit a wide range of applications. Available in micron ratings between 1 and 100.



[Click to view UF Series](#)

FRP-UFH SERIES

Fibreglass Reinforced Plastic
Ultra Flow Cartridge Filter Housings

- Horizontal Orientation
- Flow rates up to 8,000 GPM
- Industrial Design



HOUSING OPTIONS

*Indicates standard configuration

Configuration Options (-) E - Top In/End Out*
C - Side In/End Out

O-Ring Options (-) – Buna-N*
ED – EPDM
VI – Viton

Closure Assembly Options (-) Mechanical Davit

Accessories Direct Reading Gauge
DP Gauge
Safety Relief Valves
Vent Valves
Drain Valves
Air Eliminator

Other Options Stainless Steel bolting
Skid Mounting
Duplexing

MODEL DIMENSIONAL DETAILS

MODEL	WEIGHT	A	B	C	D	E	F
FRP-UF16	425	16½"	50"	36"	56"	70"	74"
FRP-UF18	500	18½"	51"	36"	56"	70"	74"
FRP-UF20	600	20½"	51"	36"	56"	73"	77"
FRP-UF24	900	22½"	52"	36"	62"	81"	85"
FRP-UF30	1600	30½"	58"	36"	64"	88"	92"
FRP-UF36	2100	36⅝"	62"	36"	72"	94"	98"
FRP-UF42	2900	42⅝"	62"	36"	74"	103"	107"
FRP-UF44	3300	44⅝"	72"	42"	74"	102"	106"
FRP-UF48	4100	48¾"	77"	42"	76"	114"	118"
FRP-UF50	4500	50¾"	82"	42"	76"	114"	118"

Dimensions above are for 40" elements, style E and are approximate. Contact factory for weights and dimensions for all other model configurations.

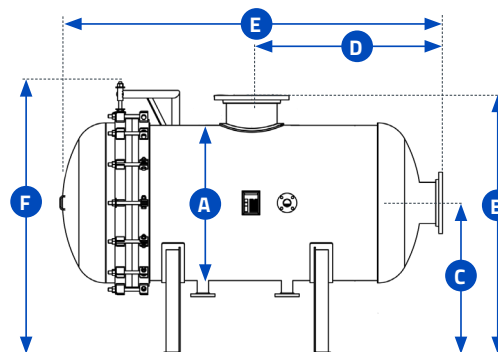
MATERIAL OF CONSTRUCTION

MATERIAL OF CONSTRUCTION	MAX. OPERATING PRESSURE	MAX. DESIGN TEMP
FRP	100 PSI (6.9bar)	150°F (65°C)

E Top In/End Out*

Side View

- A OUTSIDE DIAMETER
- B FLOOR TO INLET
- C FLOOR TO OUTLET
- D FACE TO FACE
- E OVERALL LENGTH
- F OVERALL HEIGHT



FRP-UFH SERIES

Fibreglass Reinforced Plastic
Ultra Flow Cartridge Filter Housings

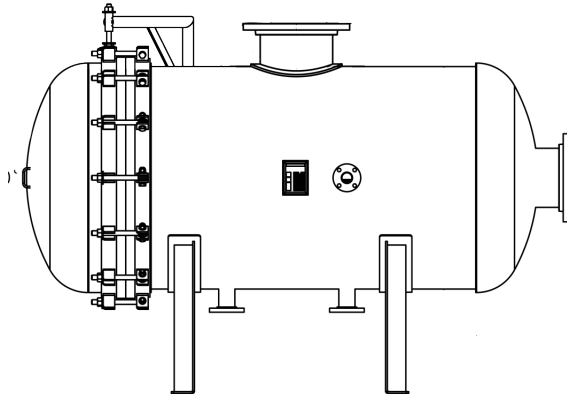
- Horizontal Orientation
- Flow rates up to 8,000 GPM
- Industrial Design



ADDITIONAL MODEL CONFIGURATIONS

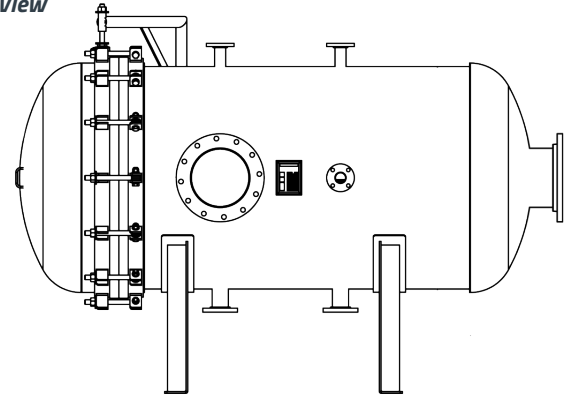
E Top In/End Out*

Side View



C Side In/End Out

Side View



PRODUCT NOMENCLATURE

FRP	UFH	16	003	60	6F	100	-
MATERIAL	MODEL	HOUSING DIAMETER	#OF CARTRIDGES	LENGTH	CONNECTION TYPE	DESIGN PRESSURE	
FRP - Fibreglass Reinforced Plastic	UFH - Ultra Flow Horizontal	See Table	See Table	20 40 60	See Table	100	See Housing Options for more options