

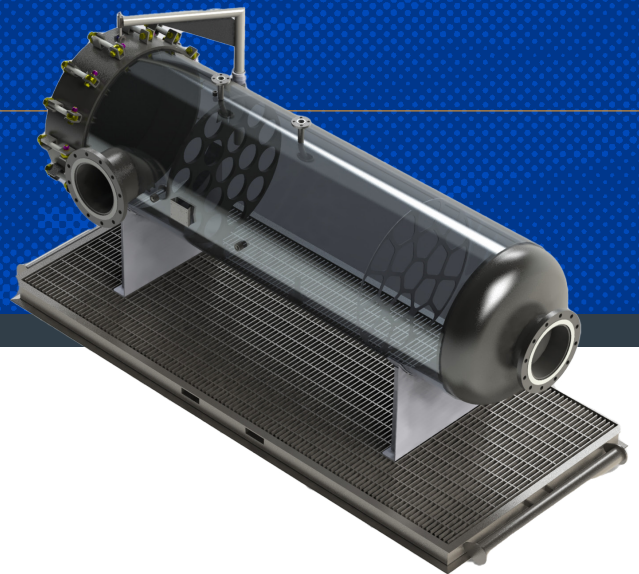


TW Series

Horizontal Dual Bag or Ultra Flow Housing

- Accepts both 80" extended bags and an 80" Ultra Flow cartridge
- ASME design
- CS, SS304 & SS316 MOC options

A single horizontal vessel on a skid, ASME certified, design accommodates both bag and Fil-Trek Ultra Flow elements 6"OD x 80".



SUITABLE USES



Air & Gas



Desalination



Coolant



Water



Electronics



Oil & Gas



Chemical



Pulp & Paper



Power



Coatings

MEDIA Manufactured to accept both bag and Fil-Trek UF elements.

DESIGN PRESSURE 150 psi (10.3 bar) @ 250°F (121.1°C)

AVAILABLE MATERIALS Vessels available in carbon steel, stainless steel 304 or 316.

ADDITIONAL FEATURES Swing bolt closure allows for quick element change out.

80" EXTENDED BAGS



80" ULTRA FLOW CARTRIDGE

Custom sizes, configurations, materials of construction and other options may be available. Please contact Fil-Trek

For more information, e-mail: info@fil-trek.com or visit Fil-Trek.com

TW SERIES

Horizontal Dual Bag or Cartridge Housing

- Accepts both bag and UF elements
- ASME Design
- CS, SS304 & SS316 MOC options

HOUSING SPECIFICATIONS

*Indicates standard configuration

Inlet/Outlet	Flange
Dirty Drain	2" NPT
Clean Drain	2" NPT
Vent	½" NPT on all sizes
Gauges	½" NPT on all sizes
Closure	Swing bolt closure
Legs	Saddles
Standard Pressure	150 PSI <i>*Other pressures available</i>
Standard Temperature	250°F (121.1°C) <i>*Other temperatures available</i>
Certifications	U, CRN

MODEL FLOW RATES

MODEL	# OF FILTERS	FLOW RATE	MAX FLANGE SIZE
TW-500	2	500	6"
TW-1000	4	1,000	8"
TW-1750	7	1,750	8"
TW-2000	8	2,000	10"
TW-2500	10	2,500	12"
TW-3000	12	3,000	12"
TW-3500	14	3,500	14"
TW-4000	16	4,000	14"
TW-4500	18	4,500	16"
TW-5000	20	5,000	16"
TW-5500	22	5,500	18"
TW-6000	24	6,000	18"
TW-6500	26	6,500	18"
TW-7000	28	7,000	20"
TW-7500	30	7,500	20"
TW-8000	32	8,000	20"
TW-8500	34	8,500	20"
TW-9000	36	9,000	24"
TW-9500	38	9,500	24"
TW-10000	40	10,000	24"

MATERIALS OF CONSTRUCTION

Housings Carbon Steel, SS304 & SS316

Closure Gaskets Buna, EPDM & Viton

**Other materials based on process contact Fil-Trek*

TW SERIES

Horizontal Dual Bag or Cartridge Housing

- Accepts both bag and UF elements
- ASME Design
- CS, SS304 & SS316 MOC options

HOUSING OPTIONS

*Indicates standard configuration

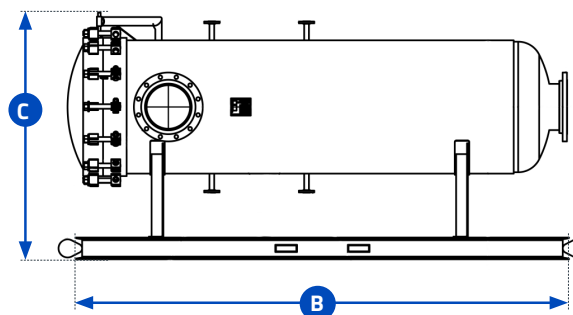
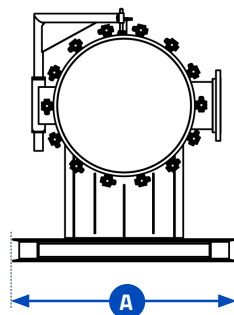
Finish Options	(-) Bead Blast* EP1 – Electro polish Inside/Outside EP2 – Inside only EP3 – Outside only PP – Passivation
O-Ring Options	(-) – BN – Buna-N* ED – EPDM VI – Viton
Accessories	Direct Reading Gauge, DP Gauge, Safety Relief Valves, Vent Valves, Drain Valves, Air Eliminator

MODEL DIMENSIONS DETAILS

MODEL	WEIGHT (LBS)	A	B	C
TW-500	1900	48"	132"	57"
TW-1000	2050	48"	132"	61"
TW-1750	2150	48"	132"	61"
TW-2000	2050	48"	132"	64"
TW-2500	2500	48"	132"	64"
TW-3000	2600	60"	144"	64"
TW-3500	2700	60"	144"	69"
TW-4000	3000	60"	144"	69"
TW-4500	3300	60"	144"	69"
TW-5000	3600	60"	144"	78"
TW-5500	4100	72"	156"	78"
TW-6000	4500	72"	156"	79"
TW-6500	5300	72"	156"	84"
TW-7000	5700	72"	156"	90"
TW-7500	5900	72"	156"	90"
TW-8000	6100	72"	168"	90"
TW-8500	6700	84"	168"	92"
TW-9000	7000	84"	168"	94"
TW-9500	7300	84"	168"	96"
TW-10000	7600	84"	168"	98"

CHART LEGEND

- A** OVERALL WIDTH
- B** OVERALL LENGTH
- C** OVERALL HEIGHT



TW SERIES

Horizontal Dual Bag or Cartridge Housing

- Accepts both bag and UF elements
- ASME Design
- CS, SS304 & SS316 MOC options

PRESSURE & TEMPERATURE DESIGNATION

DESIGNATION	MOC	PSI	TEMP (°F)	ANSI RATING
150	CS/ SS304/SS316	150	250	ANSI 150
PT1	CS	285	100	ANSI 150
	SS304/SS316	270		
PT2*	CS	200	400	ANSI 150
	SS304/SS316	190		

MATERIALS OF CONSTRUCTION

Housings Carbon Steel, SS304 & SS316

Closure Gaskets Buna, EPDM & Viton

*Other materials based on process contact Fil-Trek

COMPATIBLE FILTERS

CARTRIDGE FILTERS

6" OD high-flow pleated cartridge filters, absolute-rated with an inside-to-outside flow.



BAG FILTERS

High efficiency bags suitable for various applications including process water and oil.

PRODUCT NOMENCLATURE

S4	TW-500	16F	150	-
MOC	MODEL	CONNECTION TYPE	DESIGN PRESSURE / TEMPERATURE	OPTIONS
(-) – Carbon S4 – SS304 S6 – SS316	TW – ASME CODE	See Table	See Table	See "Housing Options"