

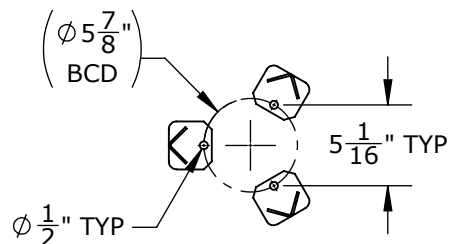
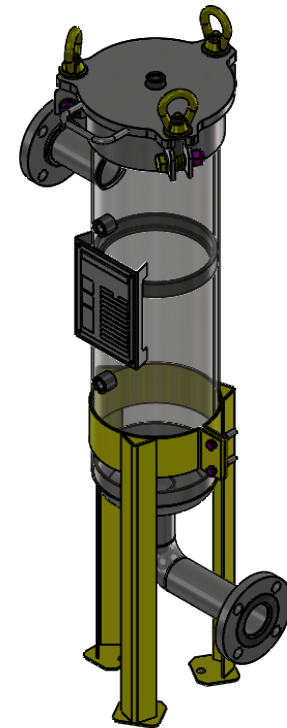
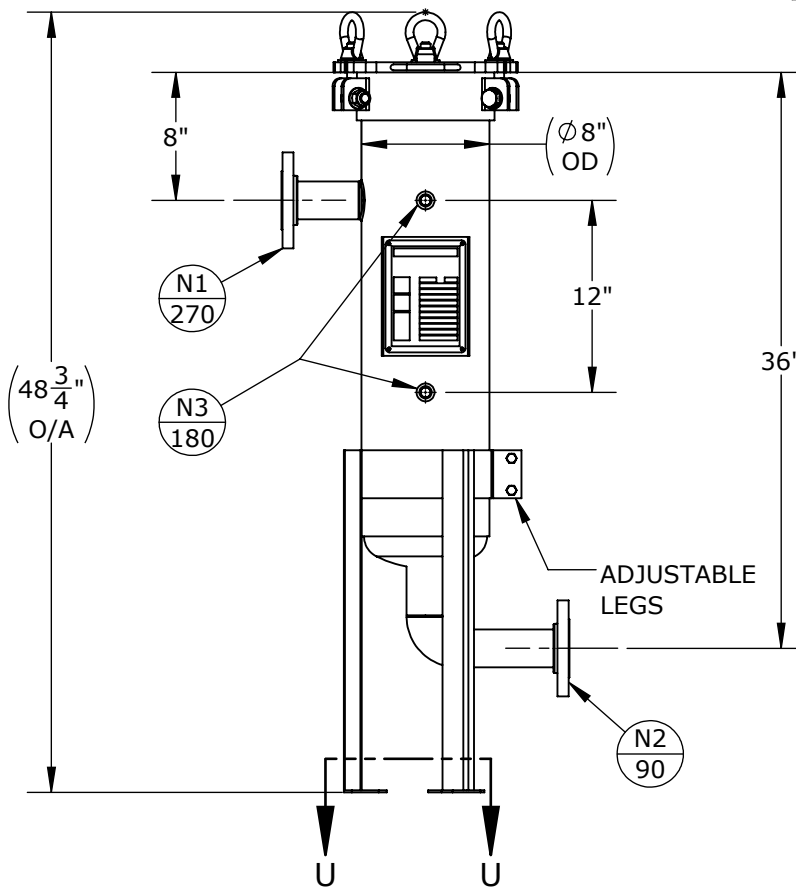
NOZZLE SCHEDULE			
MARK	QTY	SIZE / RATING	DESCRIPTION
N1	1	2" RFSO CL150	INLET
N2	1	2" RFSO CL150	OUTLET
N3	2	1/2" NPT CL3000	PRESSURE GAUGE
N4	1	1/2" NPT CL3000	VENT
N5	1	1/2" NPT CL3000	CLEAN DRAIN
N6	0		DIRTY DRAIN

VESSEL DESIGN CONDITIONS

CODE: BEST COMMERCIAL PRACTICE	
M.A.W.P.: 150 PSI @ 400°F	M.D.M.T.: -20°F @ 150 PSI
M.A.W.P.: FV PSI @ 400°F	HYDROTEST PRESS: 195 PSI
CORROSION ALLOWANCE: N/A	SERVICE: UNK. LIQUID, NON-LETHAL
STAMP: N/A	RADIOGRAPHY: N/A
PWHT: N/A	GASKET: <input type="checkbox"/> BUNA <input type="checkbox"/> VITON <input type="checkbox"/> EPDM
MATERIAL: SS304	<input type="checkbox"/> OTHER: _____

NOTES:
 DRY WEIGHT: 120 LBS
 SHIPPING WEIGHT: 150 LBS
 VOLUME: 0.75 CU. FT.
 INTERNALS: 1 X SIZE 1 BAKSET

FACTORY INSTALLED OPTIONS:
 STAINLESS STEEL BOLTING (SS316)
 N3 DIFFERENTIAL PRESSURE GAUGE TYPE: _____
 N4 PRESSURE RELIEF VALVE TYPE: _____
 N4 AIR ELIMINATOR TYPE: _____
 N4 VENT VALVE
 N5/N6 DRAIN VALVES



SECTION U-U
SCALE 1 : 12

APPROVED WITH MARK-UPS APPROVED

<p>THIRD ANGLE PROJECTION</p>	<p>FIL-TREK CORPORATION</p>	
	<p>55 Stafford Court Cambridge, Ontario N1T 1B3 Canada</p> <p>Phone: (519) 623-7448 Fax: (519) 623-8807 Email: info@fil-trek.com Website: www.fil-trek.com</p>	
<p>TOLERANCES-UNLESS OTHERWISE NOTED</p>		
<p>DECIMAL .X = ±.1" .XX = ±.02" .XXX = ±.005"</p>	<p>THIS DRAWING IS THE PROPERTY OF 'FIL-TREK CORPORATION' AND MUST NOT BE COPIED OR USED IN ANY WAY DETRIMENTAL TO THE CORPORATION</p>	
<p>FRACTIONAL = ±1/8"</p>	<p>EQUIPMENT: ESL SERIES (BAG FILTER VESSEL)</p>	
<p>ANGULAR = ± 1°</p>	<p>MODEL NO: S4ESL111-2F-E-150</p>	
<p>MAX. MACHINED SURFACE FINISH 125/√</p>	<p>CUSTOMER:</p>	
<p>VESSEL QUANTITY:</p>	<p>DRAWN: CL DATE: 2020-03-05</p>	<p>SERIAL No. Part No. 002001-00170</p>
	<p>CHK'D: AJ SCALE: NTS</p>	<p>REV. No. 0</p>