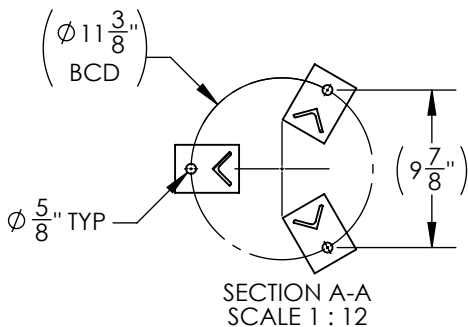
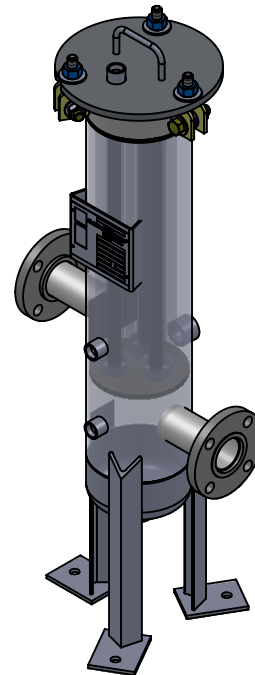
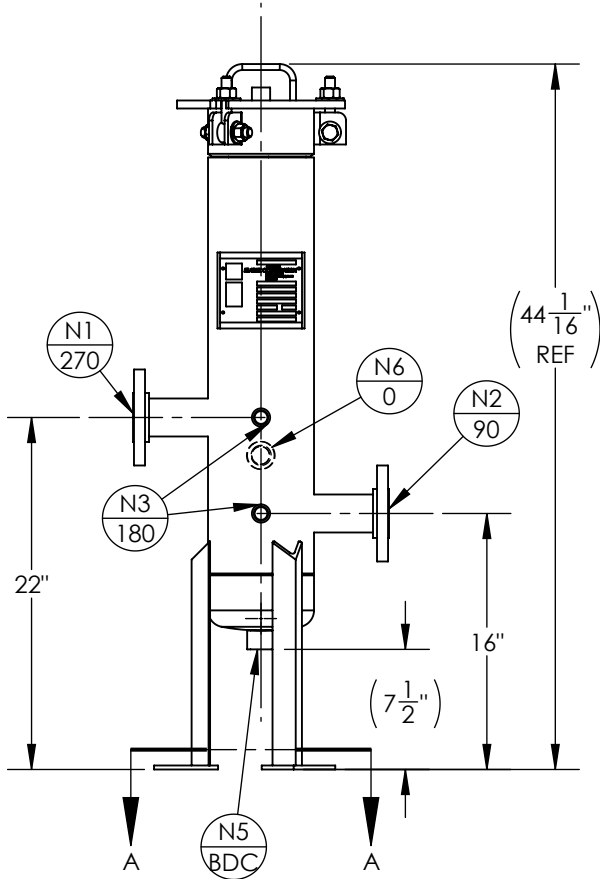


NOZZLE SCHEDULE			
MARK	QTY	SIZE / RATING	DESCRIPTION
N1	1	2" 150# RFSO	INLET
N2	1	2" 150# RFSO	OUTLET
N3	2	1/2" 3000# NPT	PRESSURE GAUGE
N4	1	1/2" 3000# NPT	VENT
N5	1	1" 3000# NPT	CLEAN DRAIN
N6	1	1" 3000# NPT	DIRTY DRAIN

VESSEL DESIGN CONDITIONS	
CODE:	ASME SECTION VIII DIV. 1, 2015 EDITION
M.A.W.P.:	150 PSI @ 400°F M.D.M.T.: -20° F @ 150 PSI
M.A.W.P.:	FV PSI @ 400°F
CORROSION ALLOWANCE:	NONE HYDROTEST PRESS: 150 PSI
STAMP:	UM SERVICE: NON LETHAL
PWHT:	N/A RADIOGRAPHY: N/A
MATERIAL:	SS316 GASKET: BUNA-N

- NOTES:
- VESSEL WILL HOUSE (QTY=3) 2.5" OD x 20" LG. CARTRIDGES.
 - DRY WEIGHT: 77.07 LBS
 - FLOODED WEIGHT: 150 LBS
 - SHIPPING WEIGHT: 175 LBS
 - VESSEL VOLUME: 0.9 FT³



APPROVED WITH MARK-UPS <input type="checkbox"/>		APPROVED <input type="checkbox"/>	
 THIRD ANGLE PROJECTION	 FIL-TREK CORPORATION		
	55 Stafford Court Cambridge, Ontario N1T 1B3 Canada		
TOLERANCES-UNLESS OTHERWISE NOTED DECIMAL .X = ±.1" .XX = ±.02" .XXX = ±.005" FRACTIONAL = ±1/8" ANGULAR = ± 1° MAX. MACHINED SURFACE FINISH 125/√		Phone: (519) 623-7448 Fax: (519) 623-8807 Email: info@fil-trek.com Website: www.fil-trek.com	
THIS DRAWING IS THE PROPERTY OF 'FIL-TREK CORPORATION' AND MUST NOT BE COPIED OR USED IN ANY WAY DETRIMENTAL TO THE CORPORATION			
EQUIPMENT:		GL SERIES (CARTRIDGE FILTER HOUSING)	
MODEL NO:		S6GL06-003-2-2F-150	
CUSTOMER:			
PARENT: NEW DESIGN	DRAWN: MS	DATE: 8/29/2017	SERIAL No. Part No. 001001-00372
CHK'D:	SCALE: NTS		REV. No. 0