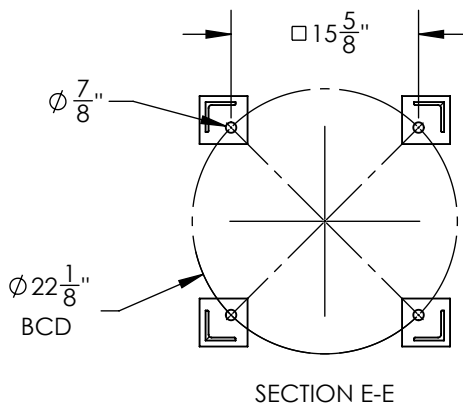
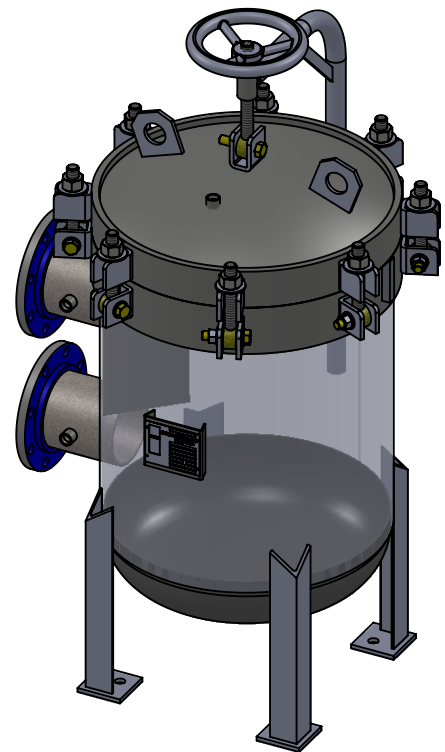
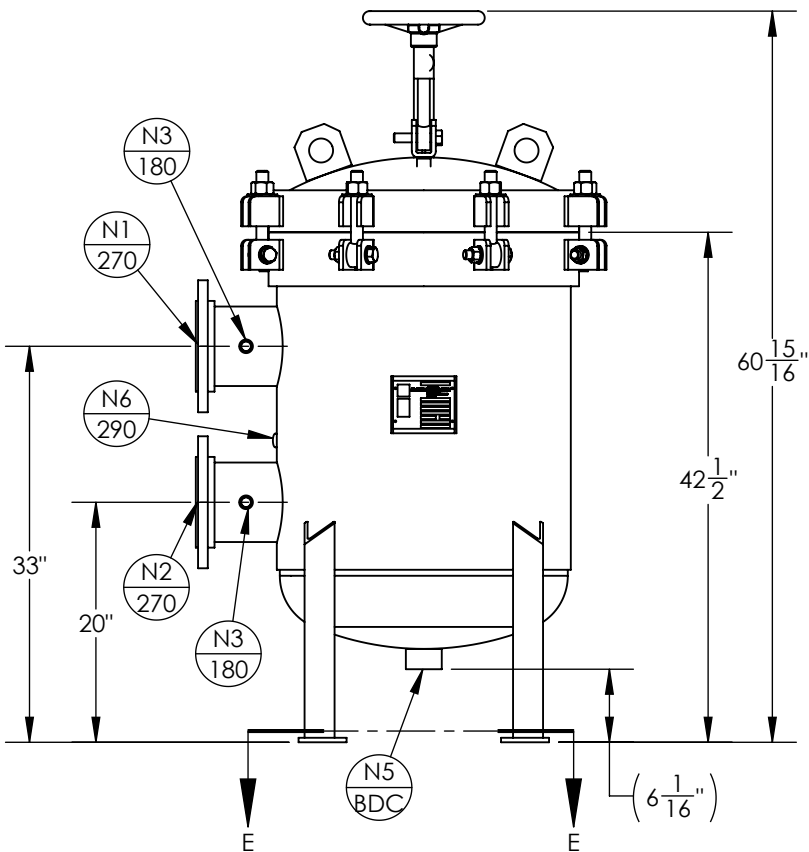


NOZZLE SCHEDULE			
MARK	QTY	SIZE / RATING	DESCRIPTION
N1	1	6" 150# RFSO	INLET
N2	1	6" 150# RFSO	OUTLET
N3	2	1/2" 3000# NPT	PRESSURE GAUGE
N4	1	1/2" 3000# NPT	VENT
N5	1	2" 3000# NPT	CLEAN DRAIN
N6	1	1/2" 3000# NPT	DIRTY DRAIN

VESSEL DESIGN CONDITIONS	
CODE:	ASME SECTION VIII DIV. 1, 2015 EDITION
M.A.W.P.:	150 PSI @ 250°F
M.D.M.T.:	-20° F @ 150 PSI
M.A.E.P.:	15 PSI @ 250°F
CORROSION ALLOWANCE:	NONE
HYDROTEST PRESS:	195 PSI
STAMP:	U
SERVICE:	NON LETHAL
PWHT:	N/A
RADIOGRAPHY:	N/A
MATERIAL:	SA516 70
GASKET:	BUNA-N

NOTES:

- VESSEL WILL HOUSE (QTY=7) DOUBLE LENGTH BASKET.
- DRY WEIGHT: 584.71 #'s
- SHIPPING WEIGHT: 600 #'s
- FLOODED WEIGHT: 1000 #'s
- VESSEL VOLUME: 7.1 C.F.



VESSEL A

<p>THIRD ANGLE PROJECTION</p> <p>TOLERANCES-UNLESS OTHERWISE NOTED</p> <p>DECIMAL .X = ±.1" .XX = ±.02" .XXX = ±.005"</p> <p>FRACTIONAL = ±1/8"</p> <p>ANGULAR = ± 1°</p> <p>MAX. MACHINED SURFACE FINISH 125/√</p>	<p>FIL-TREK CORPORATION</p> <p>55 Stafford Court Cambridge, Ontario N1T 1B3 Canada</p> <p>Phone: (519) 623-7448 Fax: (519) 623-8807 Email: info@fil-trek.com Website: www.fil-trek.com</p>	
	<p>THIS DRAWING IS THE PROPERTY OF 'FIL-TREK CORPORATION' AND MUST NOT BE COPIED OR USED IN ANY WAY DETRIMENTAL TO THE CORPORATION</p>	
EQUIPMENT:		BAG FILTER VESSEL (LP SERIES)
MODEL NO:		LPD24-712-6F
CUSTOMER:		STOCK
PARENT: NEW DESIGN	DRAWN: JJJ	DATE: 4/22/2016
CHK'D: CW	SCALE: NTS	SERIAL No. V8852
		Part No. 002004-00051
		REV. No. 0