

NOZZLE SCHEDULE

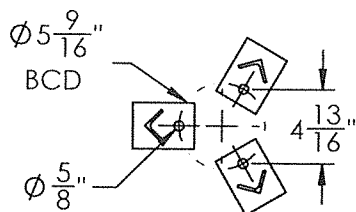
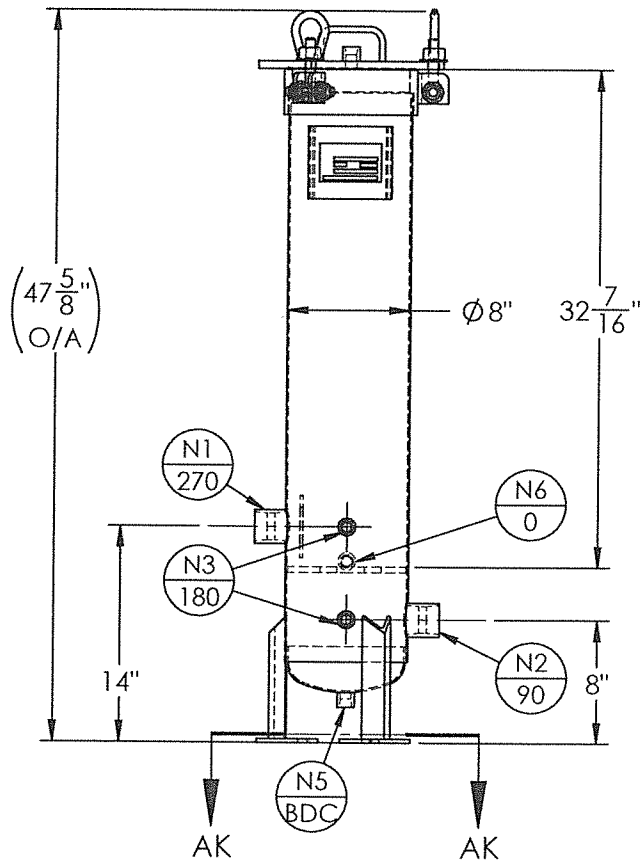
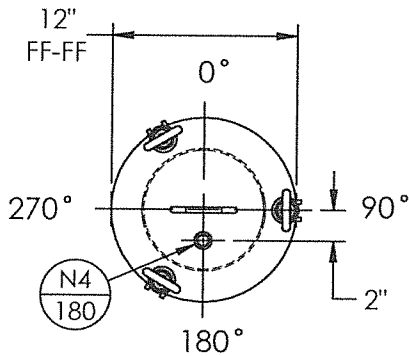
MARK	QTY	SIZE / RATING	DESCRIPTION
N1	1	1 1/2" 150# NPT	INLET
N2	1	1 1/2" 150# NPT	OUTLET
N3	2	1/2" 3000# NPT	PRESSURE GAUGE
N4	1	1/2" 3000# NPT	VENT
N5	1	1/2" 3000# NPT	CLEAN DRAIN
N6	1	1/2" 3000# NPT	DIRTY DRAIN

VESSEL DESIGN CONDITIONS

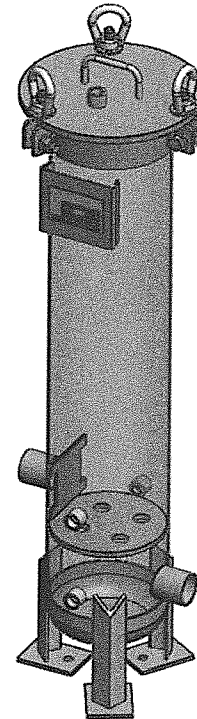
CODE: BEST COMMERCIAL PRACTICE			
M.A.W.P.:	150 PSI @ 250°F	M.D.M.T.:	-20° F @ 150 PSI
M.A.E.P.:	15 PSI @ 250°F		
CORROSION ALLOWANCE:	NONE	HYDROTEST PRESS:	150 PSI
STAMP:	NC	SERVICE:	NON LETHAL
PWHT:	N/A	RADIOGRAPHY:	N/A
MATERIAL:	CS	GASKET:	BUNA-N

NOTES:

1. VESSEL WILL HOUSE (QTY=4) 2.75"OD x 30" LG CARTRIDGES.
2. DRY WEIGHT: 78.49 LBS
3. FLOODED WEIGHT: 126 LBS
4. SHIPPING WEIGHT: 100 LBS
5. VESSEL VOLUME: .8 C.F.



SECTION AK-AK
SCALE 1 : 12



CERTIFIED BY
FIL-TREK CORPORATION

Name: *W* Date: *03/12/15*

<p>THIRD ANGLE PROJECTION</p>	<p>FIL-TREK CORPORATION</p>		
	<p>55 Stafford Court Cambridge, Ontario N1T 1B3 Canada</p> <p>Phone: (519) 623-7448 Fax: (519) 623-8807 Email: info@fil-trek.com Website: www.fil-trek.com</p>		
<p>TOLERANCES-UNLESS OTHERWISE NOTED</p>			
DECIMAL	<p>.X = +0.1" .XX = +0.02" .XXX = +0.005"</p>		
FRACTIONAL	<p>= ±1/8"</p>		
ANGULAR	<p>= ±1°</p>		
MAX. MACHINED SURFACE FINISH	<p>125 ✓</p>		
<p>PARENT: NONE</p>		<p>CUSTOMER: STOCK</p>	
<p>DRAWN: NV</p>	<p>DATE: 1/12/2015</p>	<p>SERIAL No. 001022-00019</p>	<p>Part No. 001022-00019 DWG. No. 001022-00019-1</p>
<p>CHK'D:</p>	<p>SCALE: NTS</p>	<p><i>V35709</i></p>	<p>REV. No. 0</p>