

FOOTPLATE LAYOUT

NOZZLE SCHEDULE

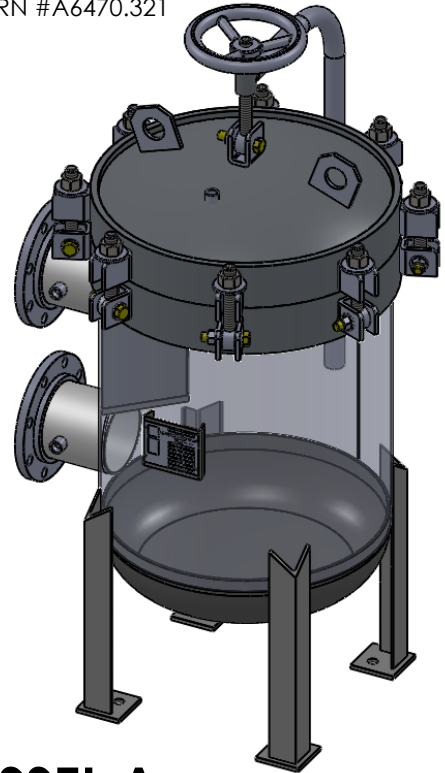
MARK	QTY	SIZE / RATING	DESCRIPTION
N1	1	6" 150# RFSO	INLET
N2	1	6" 150# RFSO	OUTLET
N3	2	1/2" 3000# NPT	PRESSURE GAUGE
N4	1	1/2" 3000# NPT	VENT
N5	1	2" 3000# NPT	CLEAN DRAIN
N6	1	1/2" 3000# NPT	DIRTY DRAIN

VESSEL DESIGN CONDITIONS

CODE: ASME SECTION VIII DIV. 1, 2013 EDITION	
M.A.W.P.: 150 PSI @ 250°F	M.D.M.T.: -20° F @ 150 PSI
M.A.E.P.: 15 PSI @ 250°F	
CORROSION ALLOWANCE: NONE	HYDROTEST PRESS: 195 PSI
STAMP: U CRN AB/SK/BC	SERVICE: NON LETHAL
PWHT: N/A	RADIOGRAPHY: N/A
MATERIAL: SS-316/L	GASKET: BUNA-N

NOTES:

- VESSEL WILL HOUSE (QTY=7) DOUBLE LENGTH BASKET.
- DRY WEIGHT: 579.86 #'s
- SHIPPING WEIGHT: 600 #'s
- FLOODED WEIGHT: 1000 #'s
- VESSEL VOLUME: 7.1 C.F.
- CRN #A6470.321



VESSEL A

<p>THIRD ANGLE PROJECTION</p> <p>TOLERANCES-UNLESS OTHERWISE NOTED</p> <p>DECIMAL .X = ±.1" .XX = ±.02" .XXX = ±.005"</p> <p>FRACTIONAL = ±1/8"</p> <p>ANGULAR = ± 1°</p> <p>MAX. MACHINED SURFACE FINISH 125/√</p>	<p>FIL-TREK CORPORATION</p> <p>55 Stafford Court Cambridge, Ontario N1T 1B3 Canada</p> <p>Phone: (519) 623-7448 Fax: (519) 623-8807 Email: info@fil-trek.com Website: www.fil-trek.com</p>				
	<p>THIS DRAWING IS THE PROPERTY OF 'FIL-TREK CORPORATION' AND MUST NOT BE COPIED OR USED IN ANY WAY DETRIMENTAL TO THE CORPORATION</p> <p>EQUIPMENT: BAG FILTER VESSEL (LP SERIES)</p> <p>MODEL NO: S6LPD24-712-6F</p> <p>CUSTOMER: FIL-TREK STOCK</p>				
<p>PARENT: NEW DESIGN</p>	<p>DRAWN: BF</p>	<p>DATE: 19/11/2015</p>	<p>SERIAL No. V8460</p>	<p>Part No. 002004-R001743A-6F</p>	<p>REV. No. 0</p>
	<p>CHK'D: CR</p>	<p>SCALE: NTS</p>		<p>DWG. No. R001743-1</p>	