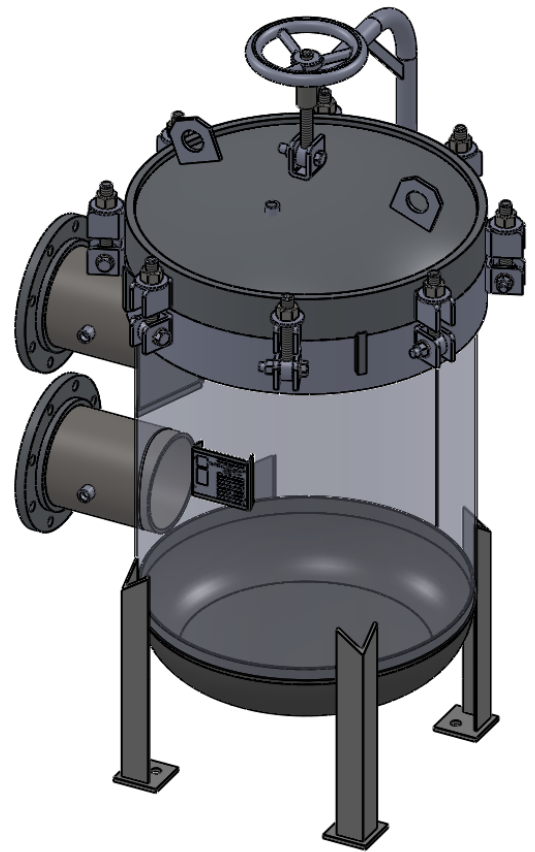


NOZZLE SCHEDULE			
MARK	QTY	SIZE / RATING	DESCRIPTION
N1	1	8"150# RFSO	INLET
N2	1	8"150# RFSO	OUTLET
N3	2	1/2" 3000# NPT	PRESSURE GAUGE
N4	1	1/2" 3000# NPT	VENT
N5	1	2" 3000# NPT	CLEAN DRAIN
N6	1	1/2" 3000# NPT	DIRTY DRAIN

VESSEL DESIGN CONDITIONS	
CODE:	ASME SECTION VIII DIV. 1, 2010 EDITION AD.2011
M.A.W.P.:	150 PSI @ 250°F M.D.M.T.: -20° F @ 150 PSI
M.A.E.P.:	15 PSI @ 250°F
CORROSION ALLOWANCE:	NONE HYDROTEST PRESS: 195 PSI
STAMP:	U CRN AB,BC,SK SERVICE: NON LETHAL
PWHT:	N/A RADIOGRAPHY: N/A
MATERIAL:	SS304 GASKET: BUNA-N

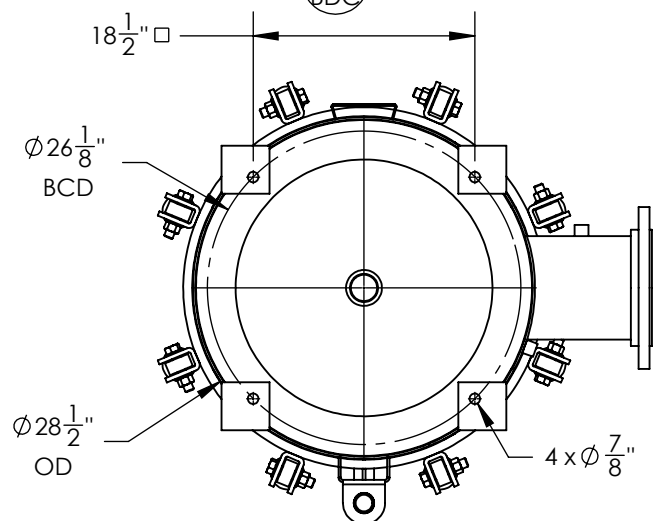
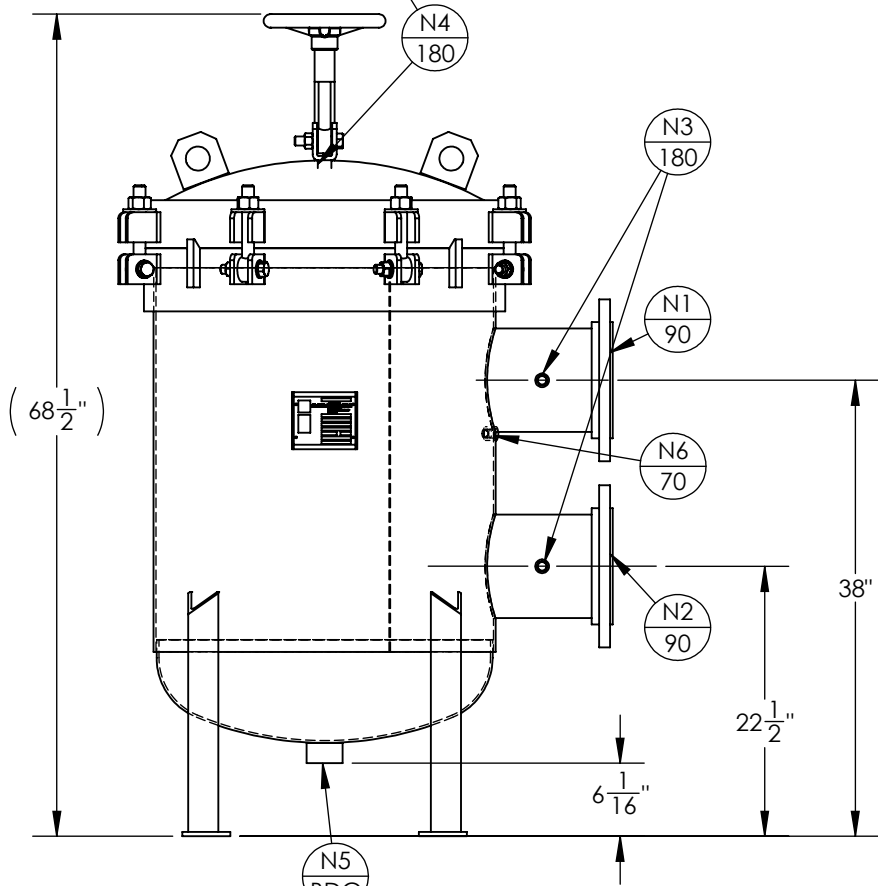
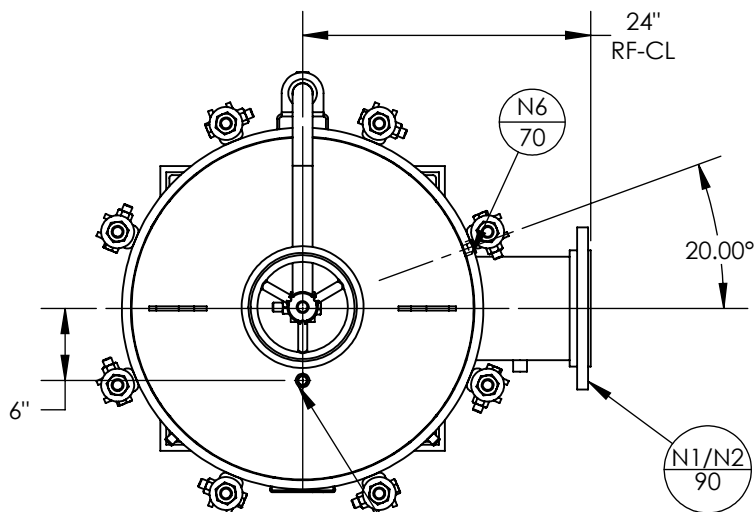


## VESSEL A

NOTES:

- VESSEL WILL HOUSE (QTY=9) DOUBLE (#2) LENGTH BASKET. CRN#: T7350.2
- DRY WEIGHT: 738.29 LBS.
- SHIPPING WEIGHT: 850 LBS.
- FLOODED WEIGHT: 1260 LBS.
- VESSEL VOLUME: 8.3CU. FT.

<p>THIRD ANGLE PROJECTION</p> <p>TOLERANCES-UNLESS OTHERWISE NOTED</p> <p>DECIMAL .X = ±.1" .XX = ±.02" .XXX = ±.005"</p> <p>FRACTIONAL = ±1/8"</p> <p>ANGULAR = ± 1°</p> <p>MAX. MACHINED SURFACE FINISH 125/√</p>	<p><b>FIL-TREK CORPORATION</b></p> <p>55 Stafford Court Cambridge, Ontario N1T 1B3 Canada</p> <p>Phone: (519) 623-7448 Fax: (519) 623-8807 Email: info@fil-trek.com Website: www.fil-trek.com</p>			
	<p>THIS DRAWING IS THE PROPERTY OF 'FIL-TREK CORPORATION' AND MUST NOT BE COPIED OR USED IN ANY WAY DETRIMENTAL TO THE CORPORATION</p> <p>EQUIPMENT: BAG FILTER VESSEL (LPD SERIES)</p> <p>MODEL NO: S4LPD28-912-8F-150</p> <p>CUSTOMER: STOCK</p>			
<p>PARENT: V8255</p>	<p>DRAWN: BF</p> <p>CHK'D: CR</p>	<p>DATE: 2/9/2015</p> <p>SCALE: NTS</p>	<p>SERIAL No. V8272</p> <p>Part No. 002004-00018A</p> <p>DWG. No. 002004-00018A/B-1</p>	<p>REV. No. 0</p>



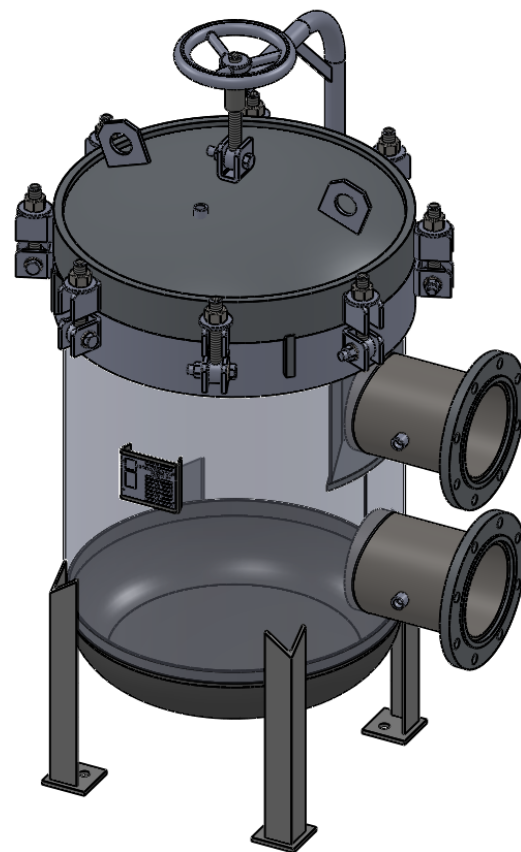
FOOTPLATE LAYOUT

NOZZLE SCHEDULE

MARK	QTY	SIZE / RATING	DESCRIPTION
N1	1	8"150# RFSO	INLET
N2	1	8"150# RFSO	OUTLET
N3	2	1/2" 3000# NPT	PRESSURE GAUGE
N4	1	1/2" 3000# NPT	VENT
N5	1	2" 3000# NPT	CLEAN DRAIN
N6	1	1/2" 3000# NPT	DIRTY DRAIN

VESSEL DESIGN CONDITIONS

CODE: ASME SECTION VIII DIV. 1, 2010 EDITION AD.2011			
M.A.W.P.:	150 PSI @ 250°F	M.D.M.T.:	-20° F @ 150 PSI
M.A.E.P.:	15 PSI @ 250°F		
CORROSION ALLOWANCE:	NONE	HYDROTEST PRESS:	195 PSI
STAMP:	U CRN AB,BC,SK	SERVICE:	NON LETHAL
PWHT:	N/A	RADIOGRAPHY:	N/A
MATERIAL:	SS304	GASKET:	BUNA-N



## VESSEL B

NOTES:

- VESSEL WILL HOUSE (QTY=9) DOUBLE (#2) LENGTH BASKET.
- CRN#: T7350.2
- DRY WEIGHT: 738.29 LBS.
- SHIPPING WEIGHT: 850 LBS.
- FLOODED WEIGHT: 1260 LBS.
- VESSEL VOLUME: 8.3CU. FT.

<p>THIRD ANGLE PROJECTION</p> <p>TOLERANCES-UNLESS OTHERWISE NOTED</p> <p>DECIMAL .X = ±.1" .XX = ±.02" .XXX = ±.005"</p> <p>FRACTIONAL = ±1/8"</p> <p>ANGULAR = ± 1°</p> <p>MAX. MACHINED SURFACE FINISH 125/√</p>	<p><b>FIL-TREK CORPORATION</b></p> <p>55 Stafford Court Cambridge, Ontario N1T 1B3 Canada</p> <p>Phone: (519) 623-7448 Fax: (519) 623-8807 Email: info@fil-trek.com Website: www.fil-trek.com</p>			
	<p>THIS DRAWING IS THE PROPERTY OF 'FIL-TREK CORPORATION' AND MUST NOT BE COPIED OR USED IN ANY WAY DETRIMENTAL TO THE CORPORATION</p> <p>EQUIPMENT: BAG FILTER VESSEL (LPD SERIES)</p> <p>MODEL NO: S4LPD28-912-8F-150</p> <p>CUSTOMER: STOCK</p>			
<p>PARENT: V8255</p>	<p>DRAWN: BF</p> <p>CHK'D: CR</p>	<p>DATE: 2/9/2015</p> <p>SCALE: NTS</p>	<p>SERIAL No. V8272</p> <p>Part No. 002004-00018B</p> <p>DWG. No. 002004-00018A/B-2</p>	<p>REV. No. 0</p>