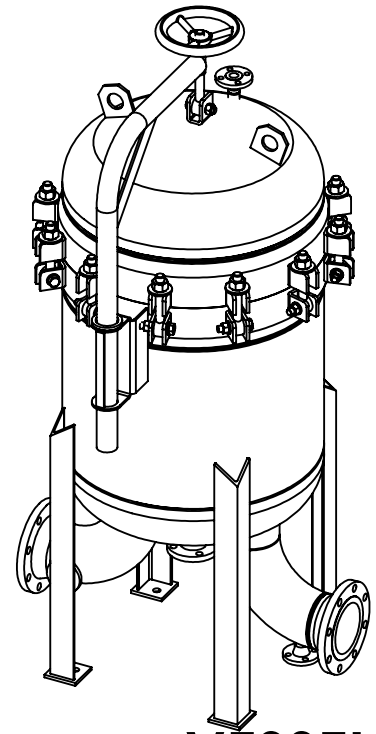
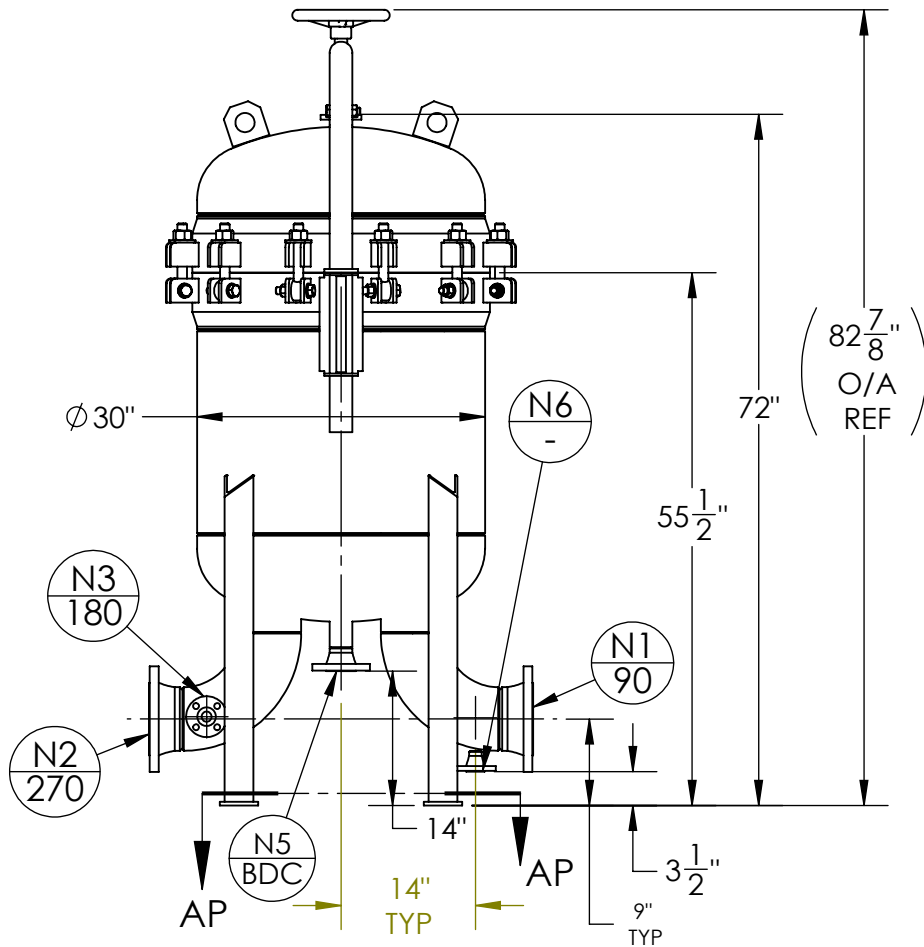


NOZZLE SCHEDULE			
MARK	QTY	SIZE / RATING	DESCRIPTION
N1	1	6" 150# RFWN	INLET
N2	1	6" 150# RFWN	OUTLET
N3	2	1" 150# RFWN	PRESSURE GAUGE
N4	1	1" 150# RFWN	VENT
N5	1	2" 150# RFWN	CLEAN DRAIN
N6	1	1" 150# RFWN	DIRTY DRAIN

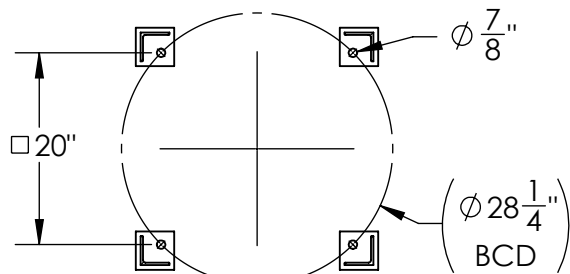
VESSEL DESIGN CONDITIONS	
CODE: ASME SEC VIII, DIV. 1, 2013 EDITION	
M.A.W.P.: 150 PSI @ 250°F	M.D.M.T.: -20° F @ 150 PSI
M.A.E.P.: 15 PSI @ 250°F	
CORROSION ALLOWANCE: 1/16"	HYDROTEST PRESS: 195 PSI
STAMP: 'U' CRN: AB	SERVICE: SOUR
PWHT: N/A	RADIOGRAPHY: RT-1 (FULL)
MATERIAL: SS316/L	GASKET: VITON

NOTES:

- VESSEL WILL HOUSE (QTY=8) DOUBLE LENGTH BASKETS.
- DRY WEIGHT: 1072 LBS.
- FLOODED WEIGHT: 2387 LBS.
- SHIPPING WEIGHT: 1300 LBS.
- VESSEL VOLUME: 20 CU. FT.



VESSEL B



SECTION AP-AP
SCALE 1 : 20

<p>THIRD ANGLE PROJECTION</p> <p>TOLERANCES-UNLESS OTHERWISE NOTED</p> <p>DECIMAL .X = ±.1" .XX = ±.02" .XXX = ±.005"</p> <p>FRACTIONAL = ±1/8"</p> <p>ANGULAR = ± 1°</p> <p>MAX. MACHINED SURFACE FINISH 125/√</p>	<p>FIL-TREK CORPORATION</p> <p>55 Stafford Court Cambridge, Ontario N1T 1B3 Canada</p> <p>Phone: (519) 623-7448 Fax: (519) 623-8807 Email: info@fil-trek.com Website: www.fil-trek.com</p>				
	<p>THIS DRAWING IS THE PROPERTY OF 'FIL-TREK CORPORATION' AND MUST NOT BE COPIED OR USED IN ANY WAY DETRIMENTAL TO THE CORPORATION</p> <p>EQUIPMENT: BAG FILTER VESSEL (BMB SERIES)</p> <p>MODEL NO: S6BMB30-812-6F-SR-150</p> <p>CUSTOMER: FIL-TREK STOCK</p>				
PARENT: V8151	DRAWN: BF	DATE: 09/09/2015	SERIAL No. V8256	GENIUS No. 002005-00018B	REV. No. 0
CHK'D:	SCALE: NTS			DWG. No. 002005-00018A/B-2	