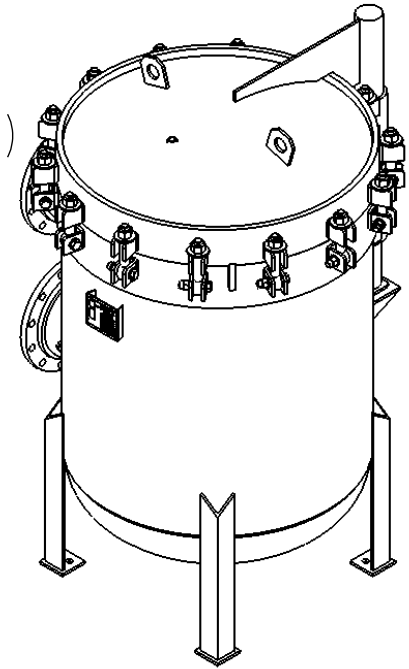
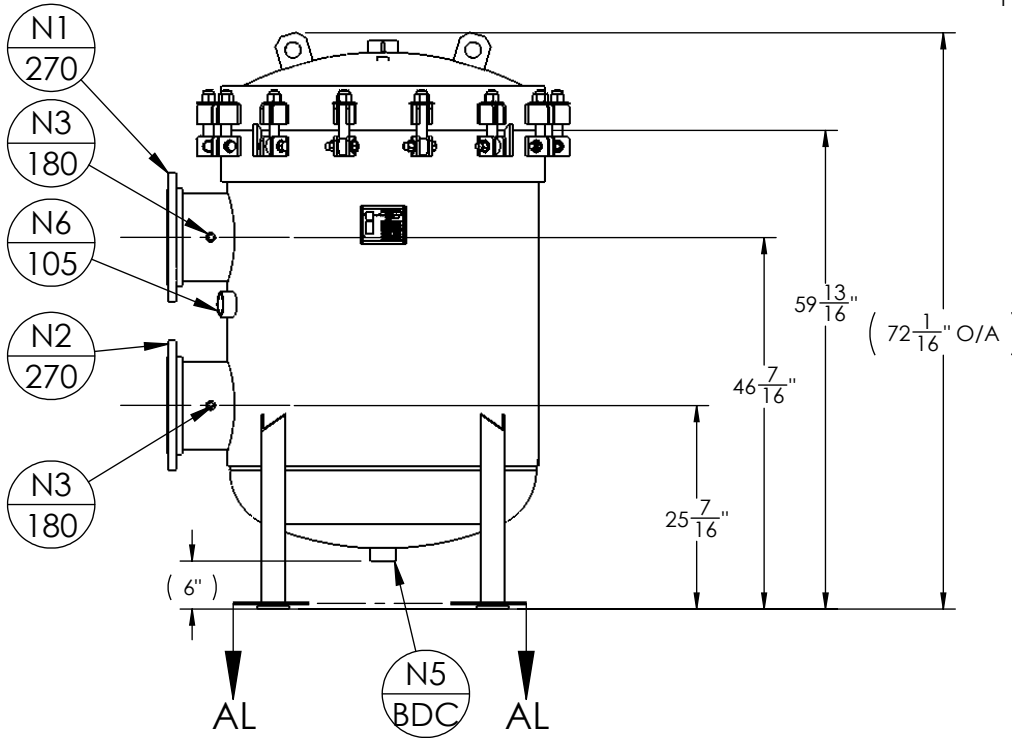


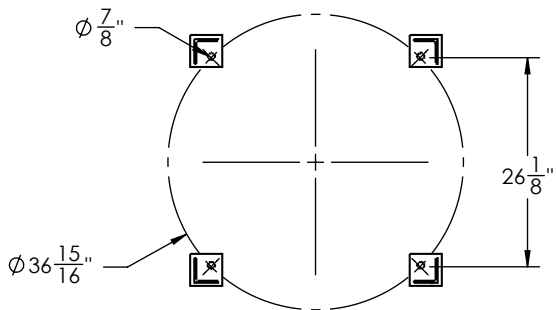
NOZZLE SCHEDULE			
MARK	QTY	SIZE / RATING	DESCRIPTION
N1	1	10" 150# RF50	INLET
N2	1	10" 150# RF50	OUTLET
N3	2	1/2" 3000# NPT	PRESSURE GAUGE
N4	1	1/2" 3000# NPT	VENT
N5	1	2" 3000# NPT	CLEAN DRAIN
N6	1	2" 3000# NPT	DIRTY DRAIN

VESSEL DESIGN CONDITIONS	
CODE:	ASME SECTION VIII DIV. 1, 2013 EDITION
M.A.W.P.:	150 PSI @ 250°F
M.D.M.T.:	-20° F @ 150 PSI
M.A.E.P.:	15 PSI @ 250°F
CORROSION ALLOWANCE:	NONE
HYDROTEST PRESS:	195 PSI
STAMP:	U/ CRN
SERVICE:	NON LETHAL
PWHT:	N/A
RADIOGRAPHY:	N/A
MATERIAL:	SS304
GASKET:	BUNA-N

- NOTES:
1. DRY WEIGHT: 1556.53 LBS
 2. FLOODED WEIGHT: 3240 LBS
 3. SHIPPING WEIGHT: 1600 LBS
 4. VESSEL VOLUME: 28 FT³
 5. VESSEL WILL HOUSE (QTY=18) SIZE 2 FILTER BASKETS



VESSEL B



SECTION AL-AL
SCALE 1 : 24

<p>THIRD ANGLE PROJECTION</p> <p>TOLERANCES-UNLESS OTHERWISE NOTED</p> <p>DECIMAL .X = ±.1" .XX = ±.02" .XXX = ±.005"</p> <p>FRACTIONAL = ±1/8"</p> <p>ANGULAR = ± 1°</p> <p>MAX. MACHINED SURFACE FINISH 125/√</p>	<p>FIL-TREK CORPORATION</p> <p>55 Stafford Court Phone: (519) 623-7448 Cambridge, Ontario Fax: (519) 623-8807 N1T 2B3 Email: info@fil-trek.com Canada Website: www.fil-trek.com</p>				
	<p>THIS DRAWING IS THE PROPERTY OF 'FIL-TREK CORPORATION' AND MUST NOT BE COPIED OR USED IN ANY WAY DETRIMENTAL TO THE CORPORATION</p>				
EQUIPMENT:		BAG FILTER VESSEL (LPD SERIES)			
MODEL NO:		S4LPD38-1812-10F-150			
CUSTOMER:		STOCK			
PARENT: NEW DESIGN	DRAWN: CW	DATE: 7/17/2015	JOB No. V-8220	DWG. No. 002004-R003127-2	REV. No. 0
	CHK'D: JJJ	SCALE: NTS			