

NOZZLE SCHEDULE

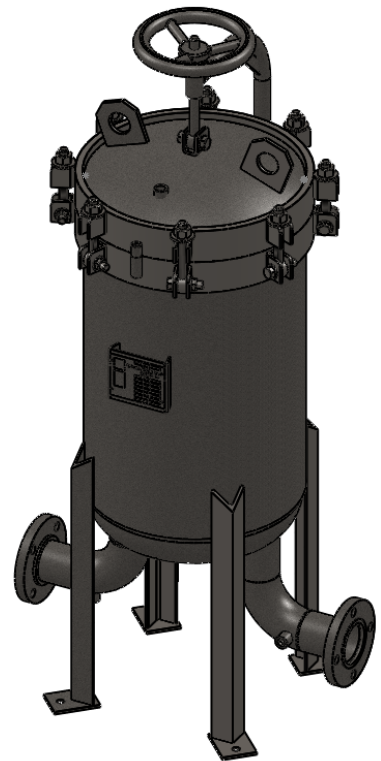
| MARK | QTY | SIZE / RATING | DESCRIPTION |
|------|-----|----------------|----------------|
| N1 | 1 | 3"150# RFSO | INLET |
| N2 | 1 | 3"150# RFSO | OUTLET |
| N3 | 2 | 1/2" 3000# NPT | PRESSURE GAUGE |
| N4 | 1 | 1/2" 3000# NPT | VENT |
| N5 | 1 | 2" 3000# NPT | CLEAN DRAIN |
| N6 | 1 | 1/2" 3000# NPT | DIRTY DRAIN |

VESSEL DESIGN CONDITIONS

| | | | |
|--|-----------------|------------------|------------------|
| CODE: ASME SECTION VIII DIV. 1, 2013 EDITION | | | |
| M.A.W.P.: | 150 PSI @ 250°F | M.D.M.T.: | -20° F @ 150 PSI |
| M.A.E.P.: | 15 PSI @ 250°F | | |
| CORROSION ALLOWANCE: | NONE | HYDROTEST PRESS: | 195 PSI |
| STAMP: | U | SERVICE: | NON LETHAL |
| PWHT: | N/A | RADIOGRAPHY: | N/A |
| MATERIAL: | SA240 304/L | GASKET: | BUNA-N |

NOTES:

1. VESSEL WILL HOUSE (QTY=3) SS 304/L SIZE 2 FILTER BASKETS
2. VESSEL DRY WEIGHT: 313.89 LBS.
3. VESSEL FLOODED WEIGHT: 670 LBS.
4. VESSEL SHIPPING WEIGHT: 475 LBS.
5. VESSEL VOLUME: 5 FT³



| | | | | |
|---|--|--------------------------------|---|------------------------|
| <p>THIRD ANGLE PROJECTION TOLERANCES-UNLESS OTHERWISE NOTED</p> | <p>FIL-TREK CORPORATION 70 Fleming Drive Cambridge, Ontario N1T 2B1 Canada</p> | | <p>Phone: (519) 623-7448 Fax: (519) 623-8807 Email: info@fil-trek.com Website: www.fil-trek.com</p> | |
| | <p>THIS DRAWING IS THE PROPERTY OF 'FIL-TREK CORPORATION' AND MUST NOT BE COPIED OR USED IN ANY WAY DETRIMENTAL TO THE CORPORATION</p> | | | |
| EQUIPMENT: | | BAG FILTER VESSEL (BMB SERIES) | | |
| MODEL NO: | | S4BMB18-312-3F-150 | | |
| CUSTOMER: | | STOCK | | |
| PARENT: NEW DESIGN | DRAWN: JJJ CHK'D: CW | DATE: 23/7/15 SCALE: NTS | JOB No. V8217 | DWG. No. 005-0032-1 |
| | | | | REV. No. 0 |