

NOZZLE SCHEDULE

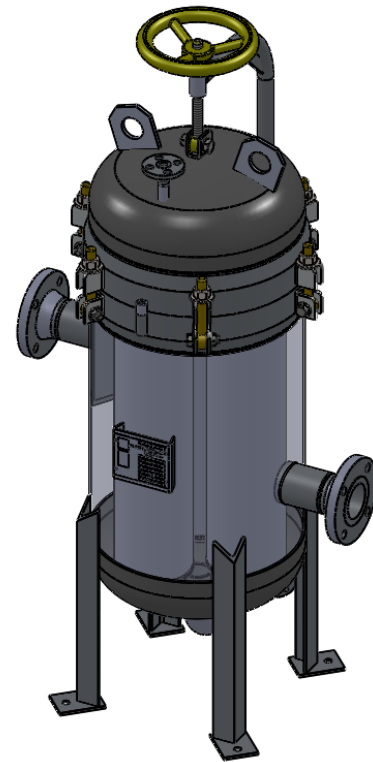
MARK	QTY	SIZE / RATING	DESCRIPTION
N1	1	3" 150# RFWN	INLET
N2	1	3" 150# RFWN	OUTLET
N3	-	-	-
N4	1	1/2" 150# RFWN	VENT
N5	1	2" 150# RFWN	CLEAN DRAIN
N6	1	1/2" 150# RFWN	DIRTY DRAIN

VESSEL DESIGN CONDITIONS

CODE: ASME SECTION VIII DIV. 1, 2013 EDITION			
M.A.W.P.: 150 PSI @ 250°F		M.D.M.T.: -20° F @ 150 PSI	
M.A.E.P.: 15 PSI @ 250°F			
CORROSION ALLOWANCE: 1/16"		HYDROTEST PRESS: 195 PSI	
STAMP: 'U' /CRN		SERVICE: SOUR	
PWHT: NONE		RADIOGRAPHY: RT-1 (FULL)	
MATERIAL: SS-316/L		GASKET: VITON	

NOTES:

1. VESSEL WILL HOUSE (QTY=3) SS316 DOUBLE LENGTH BASKET
2. DRY WEIGHT: 348.91 LBS
3. SHIPPING WEIGHT: 600 LBS
4. FLOODED WEIGHT: 800 LBS
5. VESSEL VOLUME: 4 FT<sup>3</sup>
6. RT-1 FULL
7. ALBERTA CRN
8. VITON GASKETS
9. SOUR SERVICE
10. 1/16" CORROSION



<p>THIRD ANGLE PROJECTION</p> <p>TOLERANCES-UNLESS OTHERWISE NOTED</p> <p>DECIMAL .X = ±.1" .XX = ±.02" .XXX = ±.005"</p> <p>FRACTIONAL = ±1/8"</p> <p>ANGULAR = ± 1°</p> <p>MAX. MACHINED SURFACE FINISH 125/√</p>	<p><b>FIL-TREK CORPORATION</b></p> <p>70 Fleming Drive Cambridge, Ontario N1T 2B1 Canada</p> <p>Phone: (519) 623-7448 Fax: (519) 623-8807 Email: info@fil-trek.com Website: www.fil-trek.com</p>				
	<p>THIS DRAWING IS THE PROPERTY OF 'FIL-TREK CORPORATION' AND MUST NOT BE COPIED OR USED IN ANY WAY DETRIMENTAL TO THE CORPORATION</p> <p>EQUIPMENT: BAG FILTER VESSEL (LP SERIES)</p> <p>MODEL NO: S6LPA18-312-3F-SR-150</p> <p>CUSTOMER: STOCK</p>				
<p>PARENT: NEW DESIGN</p>	<p>DRAWN: CW</p>	<p>DATE: 10/4/15</p>	<p>JOB No.</p>	<p>DWG. No.</p>	<p>REV. No.</p>
<p>CHK'D: CR</p>	<p>SCALE: NTS</p>	<p>V-7781</p>	<p>R003021-1</p>	<p>0</p>	