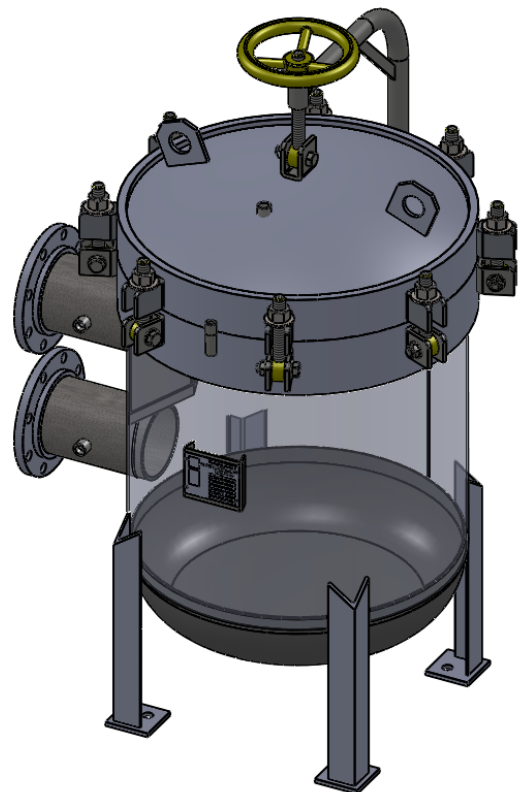


NOZZLE SCHEDULE			
MARK	QTY	SIZE / RATING	DESCRIPTION
N1	1	6"150# RFSO	INLET
N2	1	6"150# RFSO	OUTLET
N3	2	1/2" 3000# NPT	PRESSURE GAUGE
N4	1	1/2" 3000# NPT	VENT
N5	1	2" 3000# NPT	CLEAN DRAIN
N6	1	1/2" 3000# NPT	DIRTY DRAIN
VESSEL DESIGN CONDITIONS			
CODE: ASME SECTION VIII DIV. 1, 2013 ED			
M.A.W.P.:	150 PSI @ 250°F	M.D.M.T.:	-20° F @ 150 PSI
M.A.E.P.:	15 PSI @ 250°F		
CORROSION ALLOWANCE:	NONE	HYDROTEST PRESS:	195 PSI
STAMP:	U CRN AB,BC,SK	SERVICE:	NON LETHAL
PWHT:	N/A	RADIOGRAPHY:	N/A
MATERIAL:	CS	GASKET:	BUNA-N

NOTES:

1. DRY WEIGHT: 665.43 LBS.
2. SHIPPING WEIGHT: 850 LBS.
3. FLOODED WEIGHT: 1260 LBS.
4. VESSEL VOLUME: 8.3CU. FT.
5. VESSEL WILL HOUSE (QTY=9) DOUBLE (#2) LENGTH BASKET. CRN#: T7350.2
- 6.

## VESSEL A



<p>THIRD ANGLE PROJECTION</p> <p>TOLERANCES-UNLESS OTHERWISE NOTED</p> <p>DECIMAL .X = ±.1" .XX = ±.02" .XXX = ±.005"</p> <p>FRACTIONAL = ±1/8"</p> <p>ANGULAR = ± 1°</p> <p>MAX. MACHINED SURFACE FINISH 125/√</p>	<p><b>FIL-TREK CORPORATION</b></p> <p>70 Fleming Drive Cambridge, Ontario N1T 2B1 Canada</p> <p>Phone: (519) 623-7448 Fax: (519) 623-8807 Email: info@fil-trek.com Website: www.fil-trek.com</p>				
	<p>THIS DRAWING IS THE PROPERTY OF 'FIL-TREK CORPORATION' AND MUST NOT BE COPIED OR USED IN ANY WAY DETRIMENTAL TO THE CORPORATION</p> <p>EQUIPMENT: BAG FILTER VESSEL (LP SERIES)</p> <p>MODEL NO: LPA28-912-6F</p> <p>CUSTOMER: STOCK</p>				
<p>PARENT: NEW DESIGN</p>	<p>DRAWN: JJJ</p>	<p>DATE: 05/11/2014</p>	<p>JOB No. V-7520</p>	<p>DWG. No. 006-0042-1</p>	<p>REV. No. 0</p>