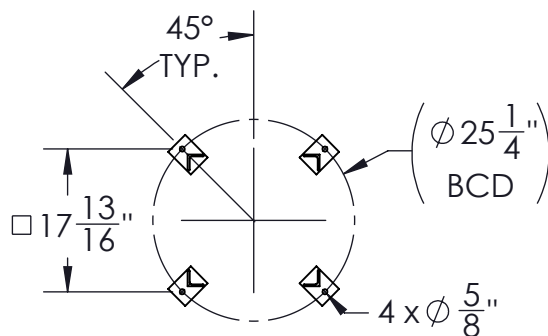
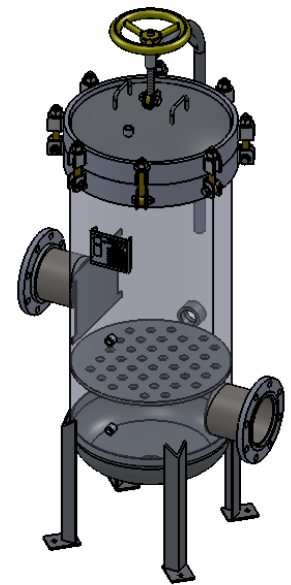
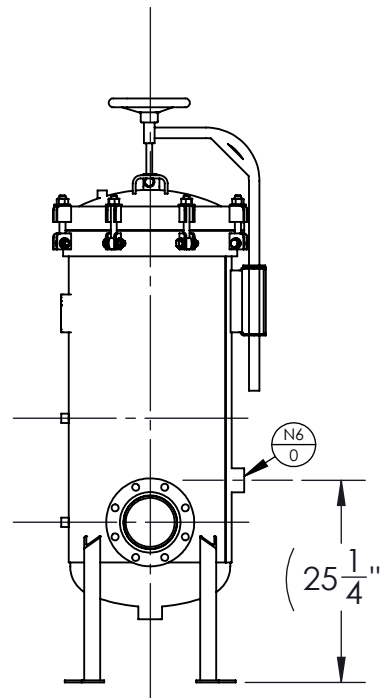
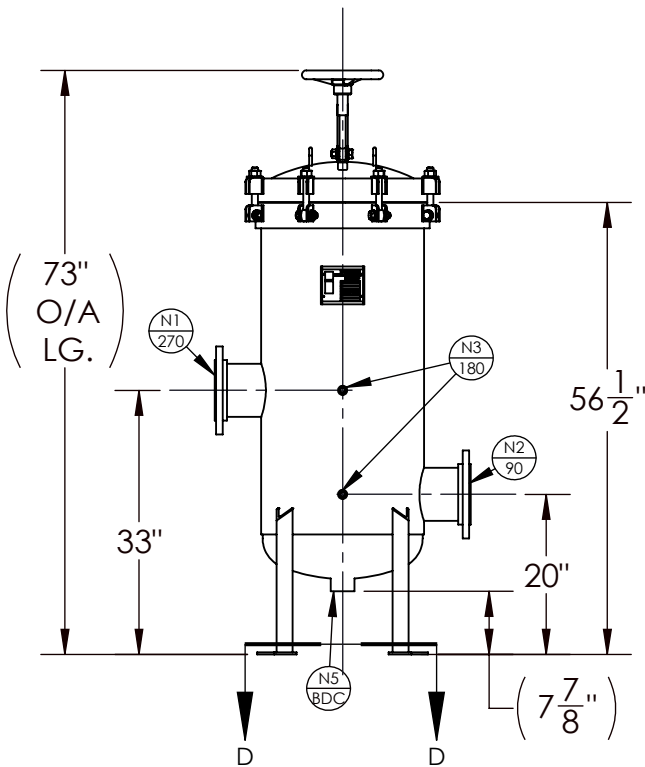


NOZZLE SCHEDULE			
MARK	QTY	SIZE / RATING	DESCRIPTION
N1	1	6"150# RFSO	INLET
N2	1	6"150# RFSO	OUTLET
N3	4	1/2" 3000# NPT	PRESSURE GAUGE
N4	1	1/2" 3000# NPT	VENT
N5	1	2" 3000# NPT	CLEAN DRAIN
N6	1	2" 3000# NPT	DIRTY DRAIN

VESSEL DESIGN CONDITIONS	
CODE: ASME SEC VII, DIV. 1, 2013 EDITION	
M.A.W.P.: 150 PSI @ 250°F	M.D.M.T.: -20° F @ 150 PSI
M.A.E.P.: 15 PSI @ 250°F	
CORROSION ALLOWANCE: NONE	HYDROTEST PRESS: 195 PSI
STAMP: U	SERVICE: NON LETHAL
PWHT: N/A	RADIOGRAPHY: N/A
MATERIAL: SS-304/L	GASKET: BUNA-N

NOTES:

1. VESSEL DRY WEIGHT: **376.69** LBS.
2. SHIPPING WEIGHT: **450** LBS.
3. FLOODED WEIGHT: **750** LBS.
4. VESSEL VOLUME: **7** FT³
5. VESSEL WILL HOUSE (QTY=40) 2.5"OD x 30" LG CARTRIDGE.



SECTION D-D

 THIRD ANGLE PROJECTION	 FIL-TREK CORPORATION				
	70 Fleming Drive Cambridge, Ontario N1T 2B1 Canada	Phone: (519) 623-7448 Fax: (519) 623-8807 Email: info@fil-trek.com Website: www.fil-trek.com			
THIS DRAWING IS THE PROPERTY OF 'FIL-TREK CORPORATION' AND MUST NOT BE COPIED OR USED IN ANY WAY DETRIMENTAL TO THE CORPORATION					
EQUIPMENT:		CARTRIDGE (GL SERIES)			
MODEL NO:		S4GL20-040-3-6F-150			
CUSTOMER:					
PARENT: NONE	DRAWN: JJJ	DATE: 16/09/2014	JOB No.	DWG. No.	REV. No.
	CHK'D: CW	SCALE: NTS	V-7465	003-0094-1	0