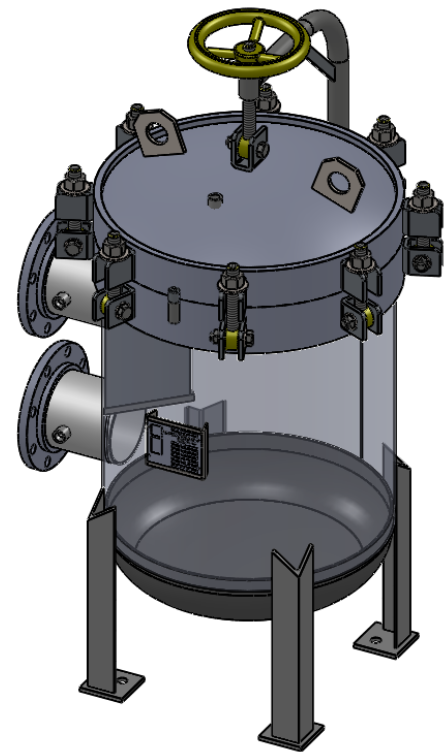
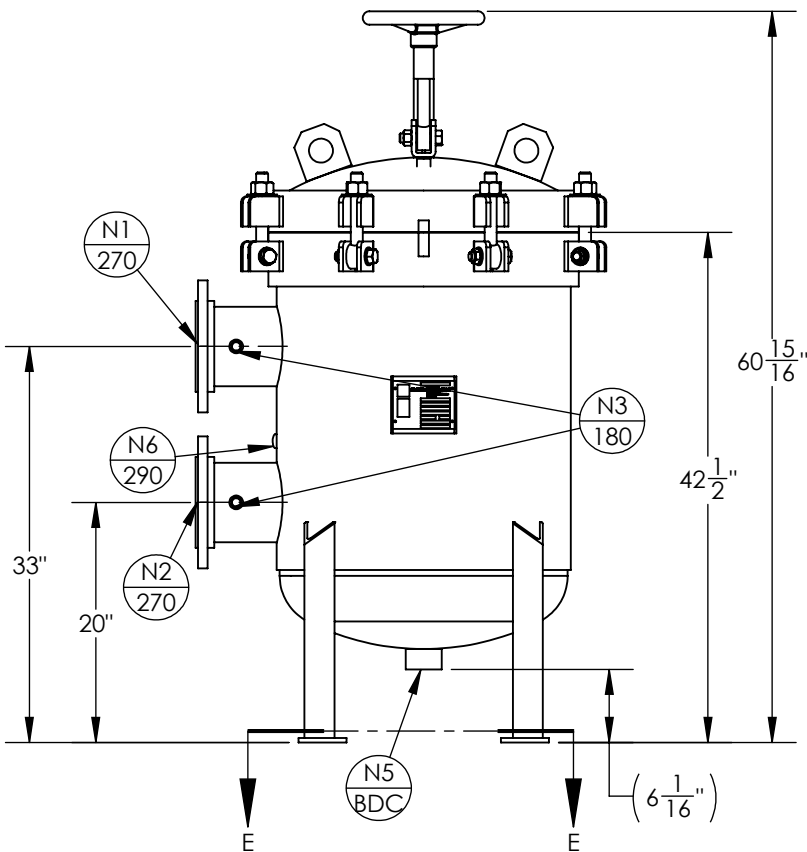


NOZZLE SCHEDULE			
MARK	QTY	SIZE / RATING	DESCRIPTION
N1	1	6" 150# RFSO	INLET
N2	1	6" 150# RFSO	OUTLET
N3	2	1/2" 3000# NPT	PRESSURE GAUGE
N4	1	1/2" 3000# NPT	VENT
N5	1	2" 3000# NPT	CLEAN DRAIN
N6	1	1/2" 3000# NPT	DIRTY DRAIN

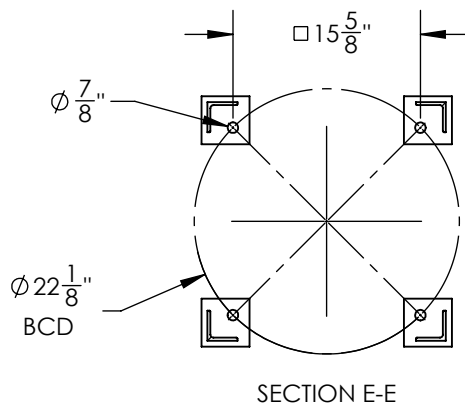
VESSEL DESIGN CONDITIONS	
CODE:	ASME SECTION VIII DIV. 1, 2013 EDITION
M.A.W.P.:	150 PSI @ 250°F
M.D.M.T.:	-20° F @ 150 PSI
M.A.E.P.:	15 PSI @ 250°F
CORROSION ALLOWANCE:	NONE
HYDROTEST PRESS:	195 PSI
STAMP:	U CRN AB/SASK
SERVICE:	NON LETHAL
PWHT:	N/A
RADIOGRAPHY:	N/A
MATERIAL:	SA240 316/L
GASKET:	BUNA-N

NOTES:

- VESSEL WILL HOUSE (QTY=7) DOUBLE LENGTH BASKET.
- DRY WEIGHT: 507.65 #'s
- SHIPPING WEIGHT: 600 #'s
- FLOODED WEIGHT: 1000 #'s
- VESSEL VOLUME: 7.1 C.F.



VESSEL A



<p>THIRD ANGLE PROJECTION</p> <p>TOLERANCES-UNLESS OTHERWISE NOTED</p> <p>DECIMAL .X = ±.1" .XX = ±.02" .XXX = ±.005"</p> <p>FRACTIONAL = ±1/8"</p> <p>ANGULAR = ± 1°</p> <p>MAX. MACHINED SURFACE FINISH 125/√</p>	<p>FIL-TREK CORPORATION</p> <p>70 Fleming Drive Cambridge, Ontario N1T 2B1 Canada</p> <p>Phone: (519) 623-7448 Fax: (519) 623-8807 Email: info@fil-trek.com Website: www.fil-trek.com</p>				
	<p>THIS DRAWING IS THE PROPERTY OF 'FIL-TREK CORPORATION' AND MUST NOT BE COPIED OR USED IN ANY WAY DETRIMENTAL TO THE CORPORATION</p> <p>EQUIPMENT: BAG FILTER VESSEL (LP SERIES)</p> <p>MODEL NO: S6LPD24-712-6F</p> <p>CUSTOMER: STOCK</p>				
<p>PARENT: NEW DESIGN</p>	<p>DRAWN: JJJ</p> <p>CHK'D: CW</p>	<p>DATE: 09/05/2014</p> <p>SCALE: NTS</p>	<p>JOB No. V-7303</p>	<p>DWG. No. 006-0081-1</p>	<p>REV. No. 0</p>