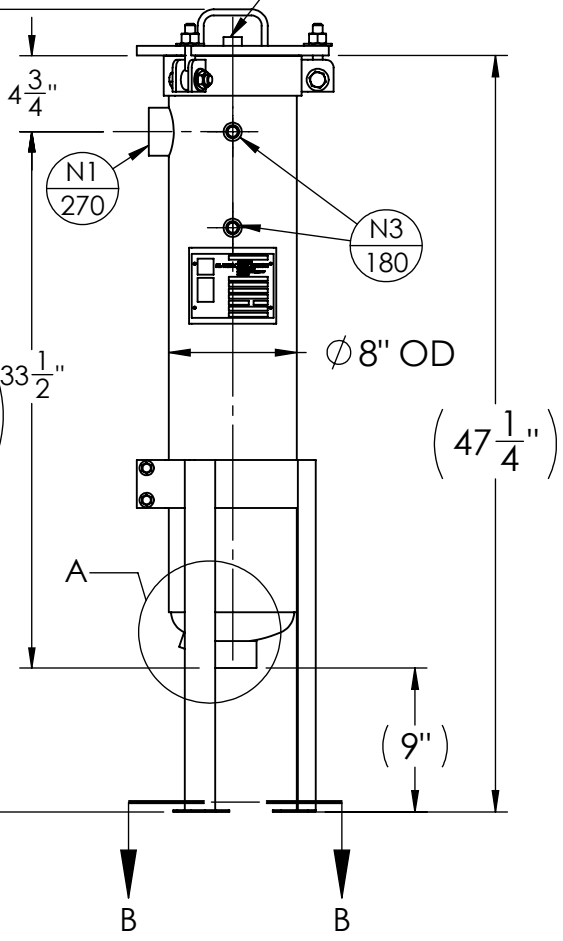


N4  
180



$(50 \frac{3}{16})$   
O/A

A

Ø 8" OD

(9")

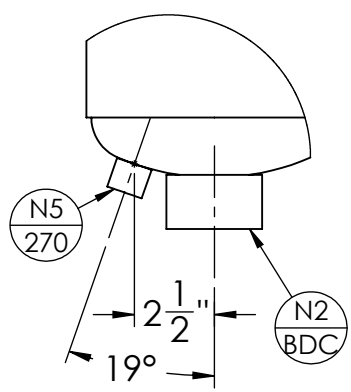
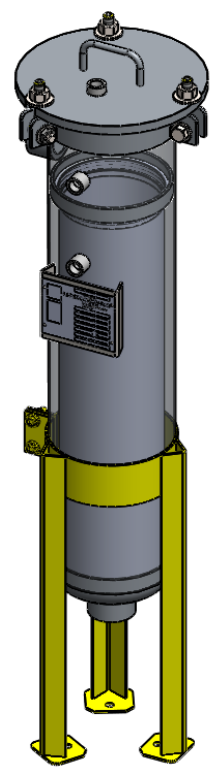
B

B

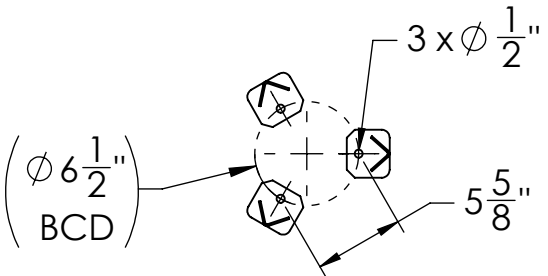
| NOZZLE SCHEDULE |     |                |                |
|-----------------|-----|----------------|----------------|
| MARK            | QTY | SIZE / RATING  | DESCRIPTION    |
| N1              | 1   | 2" 3000# NPT   | INLET          |
| N2              | 1   | 2" 3000# NPT   | OUTLET         |
| N3              | 2   | 1/2" 3000# NPT | PRESSURE GAUGE |
| N4              | 1   | 1/2" 3000# NPT | VENT           |
| N5              | 1   | 1/2" 3000# NPT | CLEAN DRAIN    |
| N6              | -   | -              | DIRTY DRAIN    |

| VESSEL DESIGN CONDITIONS                      |                 |                  |                  |
|---|-----------------|------------------|------------------|
| CODE: ASME SECTION VIII DIV. 1, 2013 EDITION, |                 |                  |                  |
| M.A.W.P.:                                     | 150 PSI @ 250°F | M.D.M.T.:        | -20° F @ 150 PSI |
| M.A.E.P.:                                     | 15 PSI @ 250°F  |                  |                  |
| CORROSION ALLOWANCE:                          | NONE            | HYDROTEST PRESS: | 195 PSI          |
| STAMP:  | UM              | SERVICE:         | NON LETHAL       |
| PWHT:   | N/A             | RADIOGRAPHY:     | N/A              |
| MATERIAL:                                     | SS 304/L        | GASKET:          | BUNA-N           |

- NOTES:
- VESSEL WILL HOUSE (QTY=1) DOUBLE LENGTH BASKET.
  - DRY WEIGHT: 85 LBS
  - FLOODED WEIGHT: 140 LBS
  - SHIPPING WEIGHT: 100 LBS
  - VESSEL VOLUME: 1.0 FT<sup>3</sup>



DETAIL A  
SCALE 1 : 6



SECTION B-B  
SCALE 1 : 12

|   |   |   |                       |                            |                   |
|---|---|---|-----------------------|----------------------------|-------------------|
| <p>THIRD ANGLE PROJECTION</p> <p>TOLERANCES-UNLESS OTHERWISE NOTED</p> <p>DECIMAL .X = ±.1" .XX = ±.02" .XXX = ±.005"</p> <p>FRACTIONAL = ±1/8"</p> <p>ANGULAR = ± 1°</p> <p>MAX. MACHINED SURFACE FINISH 125/√</p> | <p><b>FIL-TREK CORPORATION</b></p> <p>70 Fleming Drive<br/>Cambridge, Ontario<br/>N1T 2B1<br/>Canada</p> <p>Phone: (519) 623-7448<br/>Fax: (519) 623-8807<br/>Email: info@fil-trek.com<br/>Website: www.fil-trek.com</p>                          |   |                       |                            |                   |
|   | <p>THIS DRAWING IS THE PROPERTY OF 'FIL-TREK CORPORATION' AND MUST NOT BE COPIED OR USED IN ANY WAY DETRIMENTAL TO THE CORPORATION</p> <p>EQUIPMENT: BAG FILTER HOUSING (SL SERIES)</p> <p>MODEL NO: S4SL112-2P-SW-150</p> <p>CUSTOMER: STOCK</p> |   |                       |                            |                   |
| <p>PARENT: V-6653</p>   | <p>DRAWN: KP</p> <p>CHK'D: JJJ</p>  | <p>DATE: 29/02/2014</p> <p>SCALE: NTS</p> | <p>JOB No. V-7095</p> | <p>DWG. No. 017-0007-1</p> | <p>REV. No. 0</p> |