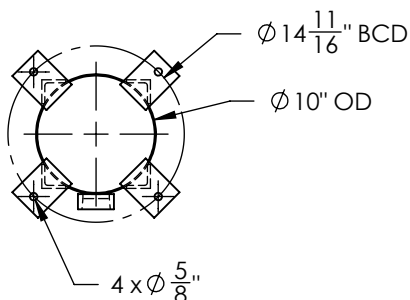
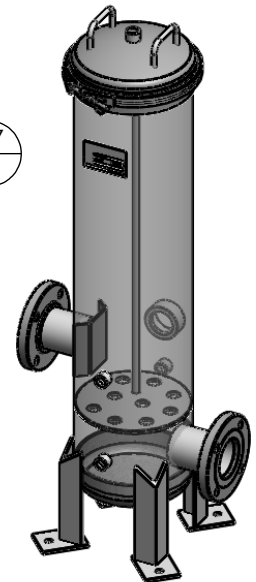
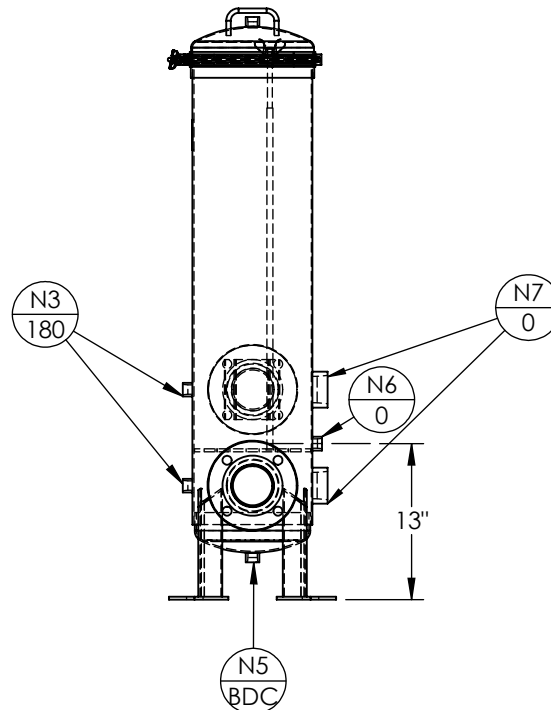
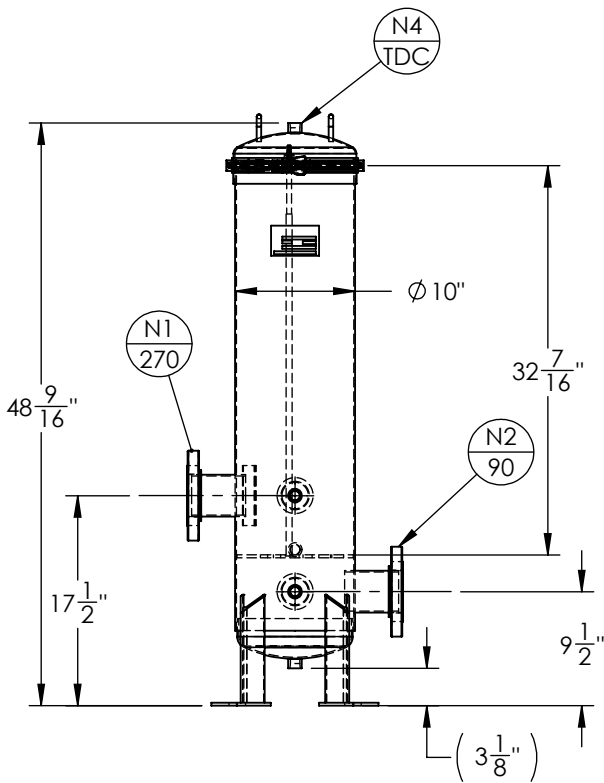


NOZZLE SCHEDULE			
MARK	QTY	SIZE / RATING	DESCRIPTION
N1	1	3" 150# RFSO	INLET
N2	1	3" 150# RFSO	OUTLET
N3	2	1/2" 3000# NPT	PRESS GA
N4	1	1/2" 3000# NPT	VENT
N5	1	1/2" 3000# NPT	CLEAN DRAIN
N6	1	1/2" 3000# NPT	DIRTY DRAIN
N7	2	2" 150# NPT	PROCESS

VESSEL DESIGN CONDITIONS	
CODE: BEST COMMERCIAL PRACTICE	
M.A.W.P.:	150 PSI @ 250°F
M.A.E.P.:	15 PSI @ 250°F
M.D.M.T.:	-20° F @ 150 PSI
CORROSION ALLOWANCE:	-
HYDROTEST PRESS:	150 PSI
STAMP:	NONE
SERVICE:	NON-LETHAL
PWHT:	NONE
RADIOGRAPHY:	NONE
MATERIAL:	SS 304/L
GASKET:	BUNA-N

**NOTES:**  
 DRY WEIGHT: 158.48 #'s  
 SHIPPING WEIGHT: 220 #'s  
 FLOODED WEIGHT: 314 #'s  
 VESSEL VOLUME: 2.31 C.F.



**NOTES:**  
 VESSEL WILL HOUSE (QTY=9) 2.5" OD x 30" LG CARTRIDGES.

 THIRD ANGLE PROJECTION	 <b>FIL-TREK CORPORATION</b> CAMBRIDGE ONTARIO - CANADA www.fil-trek.com • Tel: 519.623.7448 • Fax: 519.623.8807			
	<small>THIS DRAWING IS THE PROPERTY OF FIL-TREK CORPORATION AND MUST NOT BE COPIED OR USED IN ANY WAY DETRIMENTAL TO THE CORPORATION</small>			
TOLERANCES-UNLESS OTHERWISE NOTED DECIMAL .X = ±.1" .XX = ±.02" .XXX = ±.005"	<b>EQUIPMENT:</b> CARTRIDGE FILTER HOUSING (EF SERIES)			<small>NOV 12 2012</small>
FRACTIONAL ≤24" = ±1/16" >24" = ±1/8"	<b>MODEL NO:</b> S4EF10-009-3-3F-VB			<b>JOB No.</b>
ANGULAR = ± 1°	<b>CUSTOMER:</b> STOCK			<b>DWG. No.</b>
MAX. MACHINED SURFACE FINISH 125/√	<b>PARENT:</b> NONE	<b>DRAWN:</b> TN	<b>DATE:</b> NOV 12 2012	<b>REV. No.</b>
PAGE: 1 OF 4	CHK'D: JJJ	SCALE: NTS	V-6350	002-0146
				1