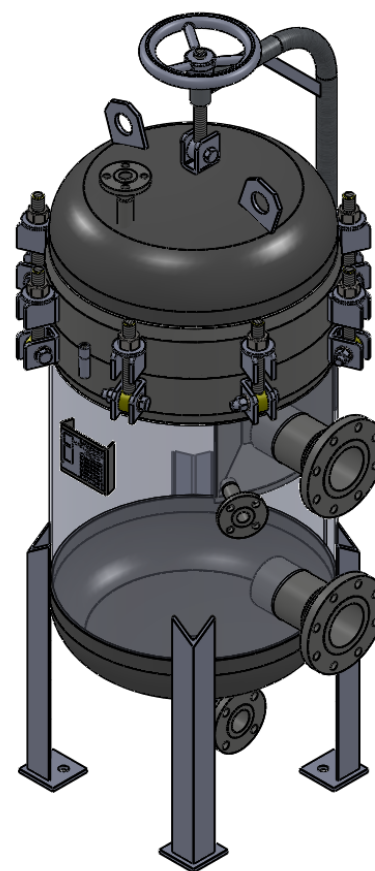
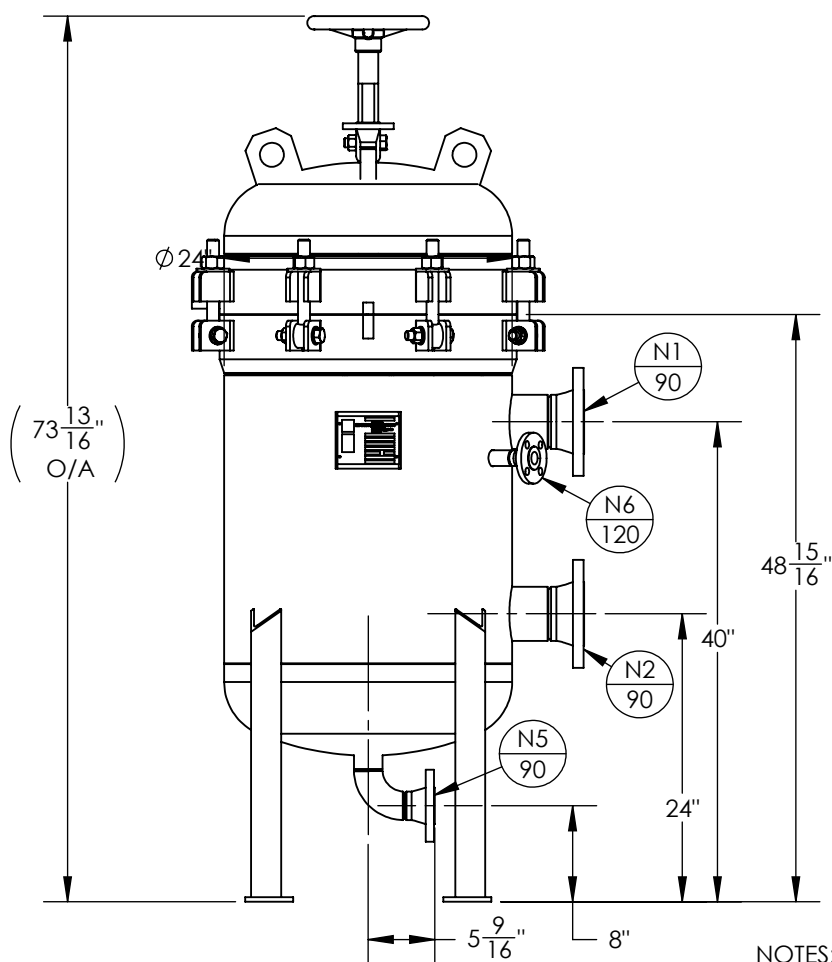


NOZZLE SCHEDULE			
MARK	QTY	SIZE / RATING	DESCRIPTION
N1	1	4" 150# RFWN	INLET
N2	1	4" 150# RFWN	OUTLET
N3	-	-	PRESS GA
N4	1	1" 150# RFWN	VENT
N5	1	2" 150# RFWN	CLEAN DRAIN
N6	1	1" 150# RFWN	DIRTY DRAIN

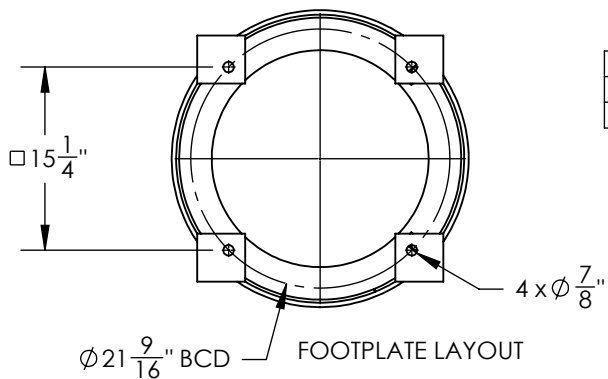
  

VESSEL DESIGN CONDITIONS			
CODE: ASME SECTION VIII DIV. 1, 2013 ED			
M.A.W.P.:	150 PSI @ 250°F	M.D.M.T.:	-20° F @ 150 PSI
M.A.E.P.:	15 PSI @ 250°F		
CORROSION ALLOWANCE:	1/8"	HYDROTEST PRESS:	195 PSI
STAMP:	'U' CRN	SERVICE:	SOUR
PWHT:	1 HR @1100° F	RADIOGRAPHY:	RT1
MATERIAL:	CS	GASKET:	VITON

DRY WEIGHT: 655.00 #'s  
 SHIPPING WEIGHT: 700 #'s  
 FLOODED WEIGHT: 1250 #'s  
 VESSEL VOLUME: 10.6 C.F.



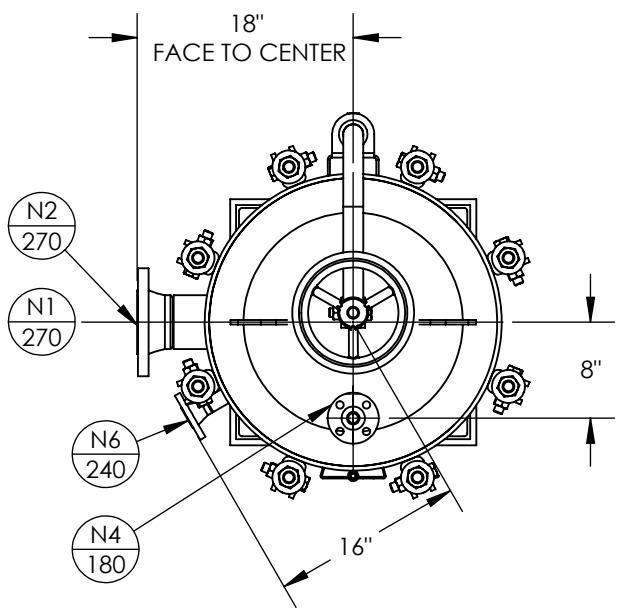
NOTES:  
 • VESSEL WILL HOUSE (QTY=6) DOUBLE LENGTH BASKETS.



REV.	DESCRIPTION	DATE	DRWN
1	CHANGED SHELL RING AND HEAD RING PROFILES	25/04/2012	JJJ

 THIRD ANGLE PROJECTION	
TOLERANCES-UNLESS OTHERWISE NOTED	
DECIMAL	.X = ±.1" .XX = ±.02" .XXX = ±.005"
FRACTIONAL	≤24" = ±1/16" >24" = ±1/8"
ANGULAR	= ± 1°
MAX. MACHINED SURFACE FINISH	125/√

<b>FIL-TREK CORPORATION</b> CAMBRIDGE ONTARIO - CANADA www.fil-trek.com • Tel: 519.623.7448 • Fax: 519.623.8807			
<small>THIS DRAWING IS THE PROPERTY OF FIL-TREK CORPORATION AND MUST NOT BE COPIED OR USED IN ANY WAY DETRIMENTAL TO THE CORPORATION</small>			
EQUIPMENT:	BAG FILTER VESSEL (LP SERIES)		
MODEL NO:	LPA24-612-4F-SR-150		
CUSTOMER:	STOCK		
PARENT:	DRAWN: JJJ	DATE: MAR 26 2012	JOB No.
PAGE: 1 OF 13	CHK'D: CR	SCALE: NTS	V-5946-A
			DWG. No. R002254
			REV. No. 1

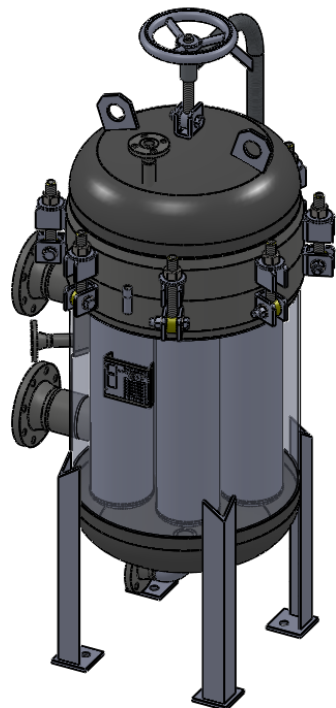
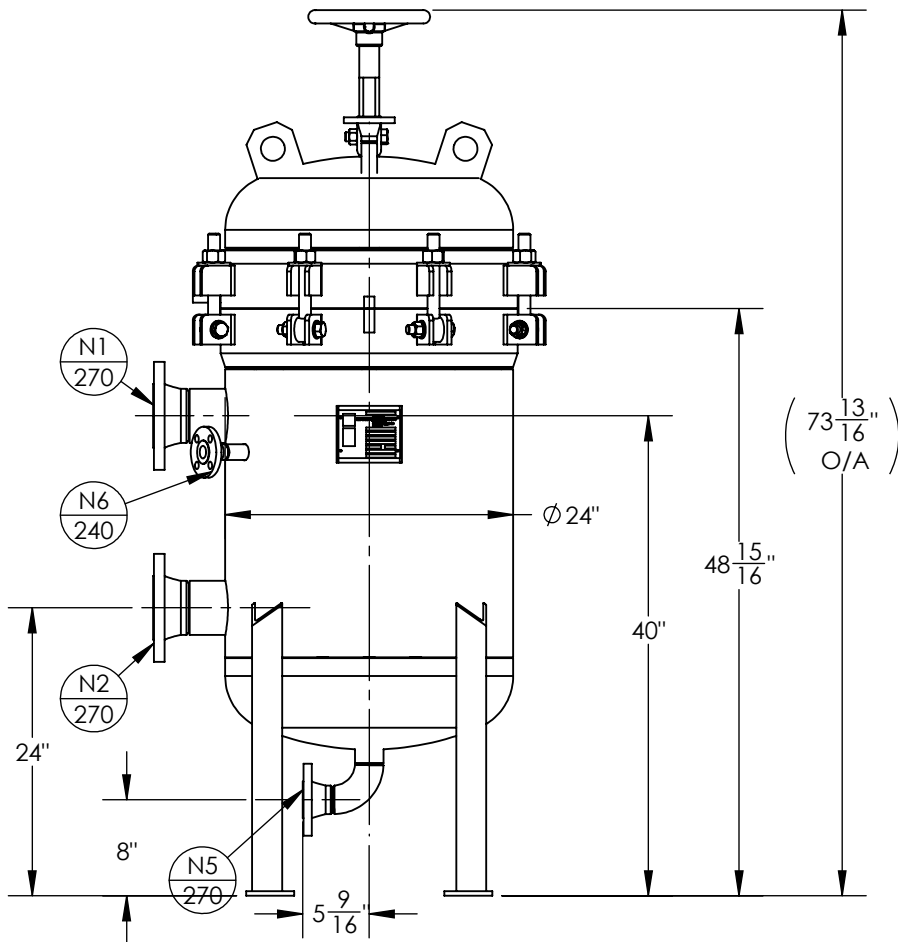


NOZZLE SCHEDULE			
MARK	QTY	SIZE / RATING	DESCRIPTION
N1	1	4" 150# RFWN	INLET
N2	1	4" 150# RFWN	OUTLET
N3	-	-	PRESS GA
N4	1	1" 150# RFWN	VENT
N5	1	2" 150# RFWN	CLEAN DRAIN
N6	1	1" 150# RFWN	DIRTY DRAIN

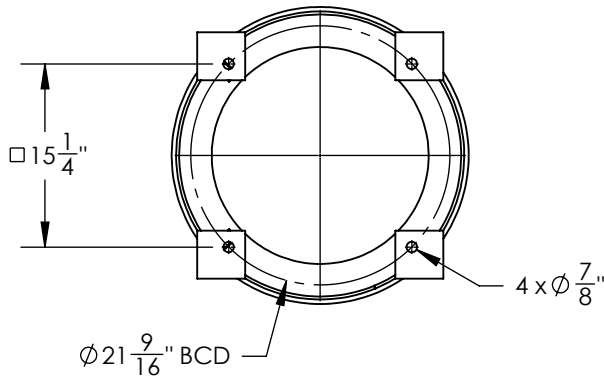
  

VESSEL DESIGN CONDITIONS			
CODE: ASME SECTION VIII DIV. 1, 2013 ED			
M.A.W.P.:	150 PSI @ 250°F	M.D.M.T.:	-20° F @ 150 PSI
M.A.E.P.:	15 PSI @ 250°F		
CORROSION ALLOWANCE:	1/8"	HYDROTEST PRESS:	195 PSI
STAMP:	'U' CRN	SERVICE:	SOUR
PWHT:	1 HR @1100° F	RADIOGRAPHY:	RT1
MATERIAL:	CS	GASKET:	VITON

DRY WEIGHT: 655.00 #'s  
 SHIPPING WEIGHT: 700 #'s  
 FLOODED WEIGHT: 1250 #'s  
 VESSEL VOLUME: 10.6 C.F.



NOTES:  
 • VESSEL WILL HOUSE (QTY=6) DOUBLE LENGTH BASKETS.



REV.	DESCRIPTION	DATE	DRWN
1	CHANGED SHELL RING AND HEAD RING PROFILES	25/04/2012	JJJ

THIRD ANGLE PROJECTION	
TOLERANCES-UNLESS OTHERWISE NOTED	
DECIMAL	.X = ±.1" .XX = ±.02" .XXX = ±.005"
FRACTIONAL	≤24" = ±1/16" >24" = ±1/8"
ANGULAR	± 1°
MAX. MACHINED SURFACE FINISH	125/√

**FIL-TREK CORPORATION**  
 CAMBRIDGE ONTARIO - CANADA  
 www.fil-trek.com • Tel: 519.623.7448 • Fax: 519.623.8807

EQUIPMENT: BAG FILTER VESSEL (LP SERIES)					
MODEL NO: LPA24-612-4F-SR-150					
CUSTOMER: STOCK					
PARENT: -	DRAWN: JJJ	DATE: MAR 26 2012	JOB No.	DWG. No.	REV. No.
PAGE: 2 OF 13	CHK'D: CR	SCALE: NTS	V-5946-B	R002254	1

FOOTPLATE LAYOUT