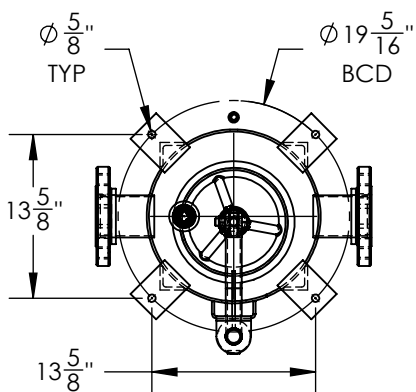
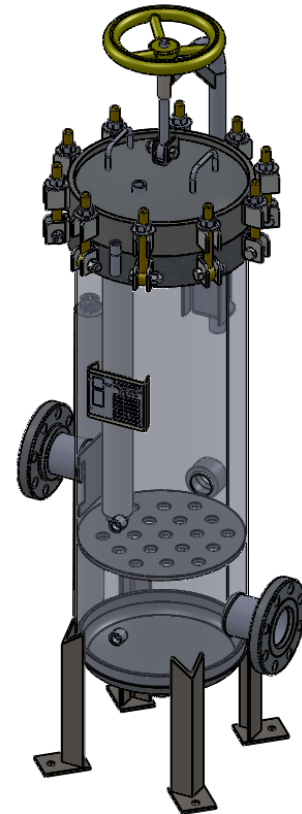
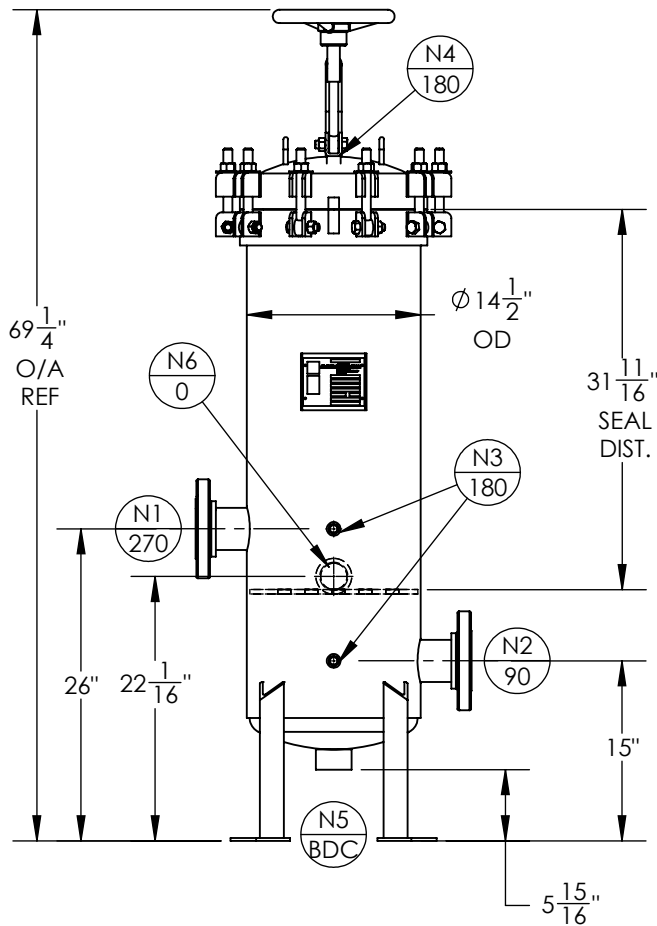


NOZZLE SCHEDULE			
MARK	QTY	SIZE / RATING	DESCRIPTION
N1	1	3" 300# RFSO	INLET
N2	1	3" 300# RFSO	OUTLET
N3	2	1/2" 3000# NPT	PRESS GA
N4	1	1/2" 3000# NPT	VENT
N5	1	2" 3000# NPT	CLEAN DRAIN
N6	1	2" 3000# NPT	DIRTY DRAIN

VESSEL DESIGN CONDITIONS	
CODE:	ASME SECTION VIII DIV. 1, 2010 EDITION
M.A.W.P.:	300 PSI @ 200°F
M.D.M.T.:	-20° F @ 300 PSI
M.A.E.P.:	15 PSI @ 200°F
CORROSION ALLOWANCE:	NONE
HYDROTEST PRESS:	390 PSI
STAMP:	U
SERVICE:	NON LETHAL
PWHT:	N/A
RADIOGRAPHY:	N/A
MATERIAL:	SS304
GASKET:	BUNA-N

NOTES:  
 VESSEL DRY WEIGHT: **389.15** LBS.  
 SHIPPING WEIGHT: **400** LBS.  
 FLOODED WEIGHT: **625** LBS.  
 VESSEL VOLUME: **3.9** CU. FT.



NOTES:  
 • VESSEL WILL HOUSE (QTY=19) 2.5"OD x 29.5" LG CARTRIDGE.

REV.	DATE	REVISION	DRAWN	APP'D
 <b>FIL-TREK CORPORATION</b> CAMBRIDGE ONTARIO - CANADA www.fil-trek.com • Tel: 519.623.7448 • Fax: 519.623.8807				
TOLERANCES-UNLESS OTHERWISE NOTED DECIMAL .X = ±.1" .XX = ±.02" .XXX = ±.005"				
FRACTIONAL ≤24" = ±1/16" >24" = ±1/8"				
ANGULAR = ± 1°				
MAX. MACHINED SURFACE FINISH 125/√				
THIRD ANGLE PROJECTION		THIS DRAWING IS THE PROPERTY OF FIL-TREK CORPORATION AND MUST NOT BE COPIED OR USED IN ANY WAY DETRIMENTAL TO THE CORPORATION		
EQUIPMENT:		CARTRIDGE (GL SERIES)		
MODEL NO:		S4GL14-019-29.5-3F-300		
CUSTOMER:		STOCK		
PARENT NEW DESIGN	DRAWN: TN	DATE: JULY 27 2011	JOB No.	DWG. No.
PAGE: 1 OF 9	CHK'D: JJJ	SCALE: NTS	V-5553	R002046
				REV. No. 0