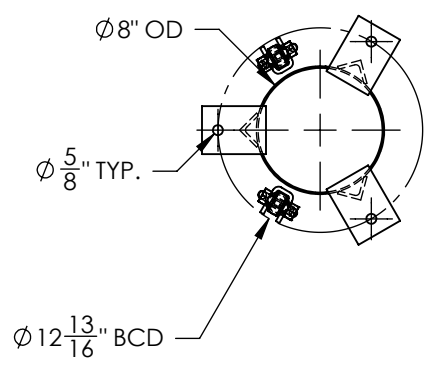
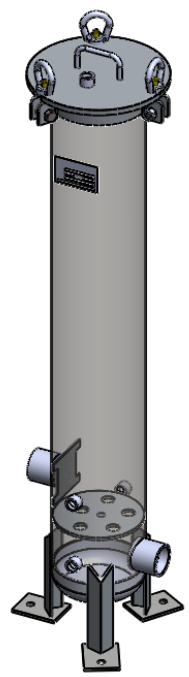
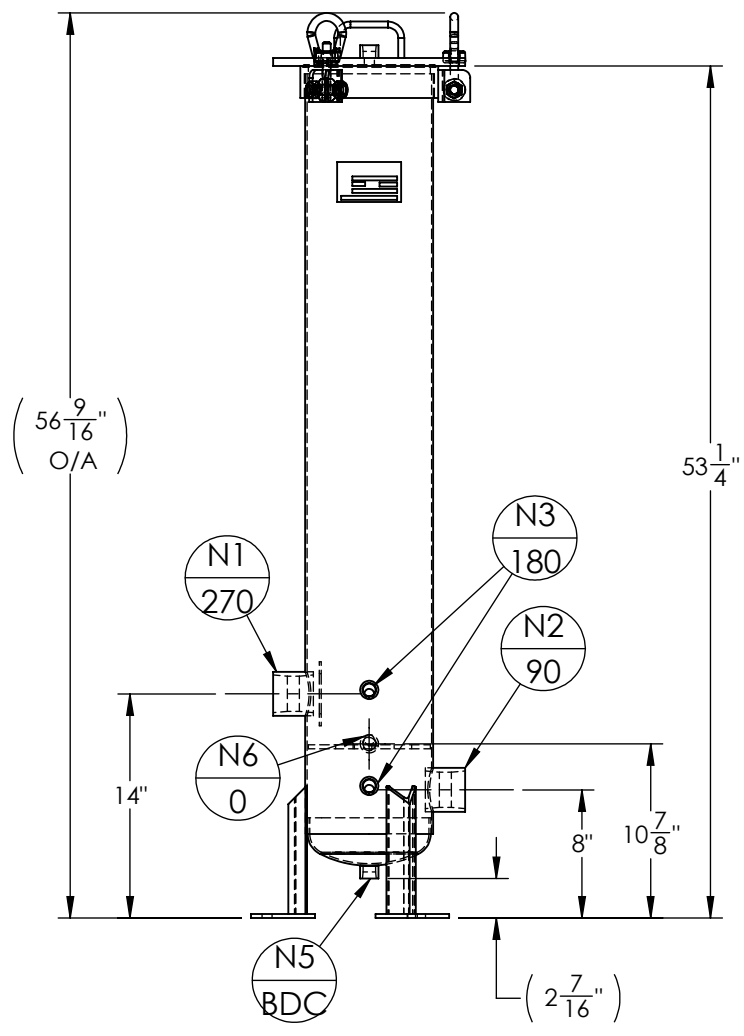


NOZZLE SCHEDULE			
MARK	QTY	SIZE/RATING	DESCRIPTION
N1	1	2" 150# NPT	INLET
N2	1	2" 150# NPT	OUTLET
N3	2	1/2" 3000# NPT	PRESS GA
N4	1	1/2" 3000# NPT	VENT
N5	1	1/2" 3000# NPT	CLEAN DRAIN
N6	1	1/2" 3000# NPT	DIRTY DRAIN

VESSEL DESIGN CONDITIONS	
CODE: BEST COMMERCIAL PRACTICE	
MAWP: 150 psi @ 250 °F	MDMT: -20 °F @ 150 psi
CORROSION ALLOWANCE: N/A	HYDROTEST PRESS: 150 psi
STAMP: N/A	SERVICE: NON LETHAL
PWHT: N/A	RADIOGRAPHY: N/A
MATERIAL: SS-304	GASKET: BUNA-N

DRY WEIGHT: 76.32 #'s
 FLOODED WEIGHT: 200 #'s
 SHIPPING WEIGHT: 160 #'s
 VESSEL VOLUME: 1.37 C.F.



NOTES:
 • VESSEL WILL HOUSE (QTY=5) 2.5" OD x 40" LG CARTRIDGES.

 THIRD ANGLE PROJECTION TOLERANCES-UNLESS OTHERWISE NOTED DECIMAL .X ±.1" .XX ±.02" .XXX ±.005" FRACTIONAL ±24" ±1/16" ±34" ±1/8" ANGULAR ±.1° MAX. MACHINED SURFACE FINISH 125 ✓	REV.	DATE	REVISION		DRAWN	APP'D
	 FIL-TREK CORPORATION CAMBRIDGE ONTARIO - CANADA www.fil-trek.com • Tel: 519.623.7448 • Fax: 519.623.8807					
THIS DRAWING IS THE PROPERTY OF FIL-TREK CORPORATION AND MUST NOT BE COPIED OR USED IN ANY WAY DETRIMENTAL TO THE CORPORATION						
EQUIPMENT:			CARTRIDGE FILTER HOUSING (EF SERIES)			
MODEL NO:			S4EF08-005-4-2P-SW			
CUSTOMER:			STOCK			
PARENT: NONE	DRAWN: JJ	DATE: FEB 23 2011	JOB No.	DWG. No.	REV. No.	
PAGE: 1 OF 4	CHK'D: JM	SCALE: NTS	V-5311	002-0032	0	