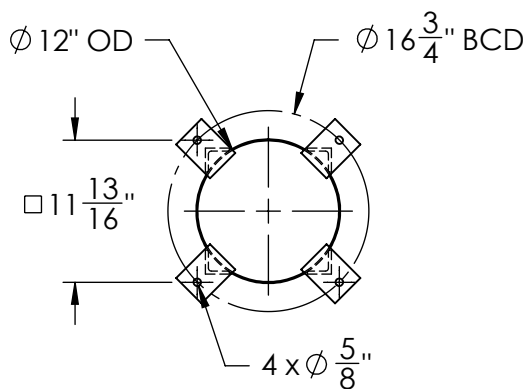
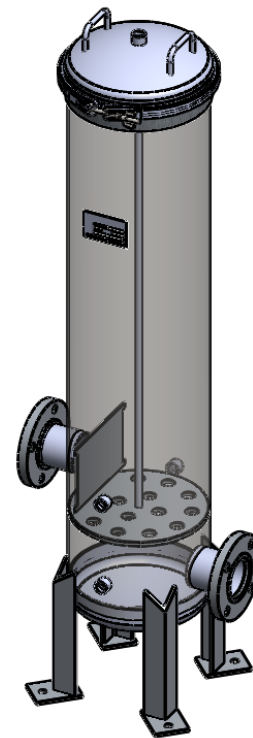
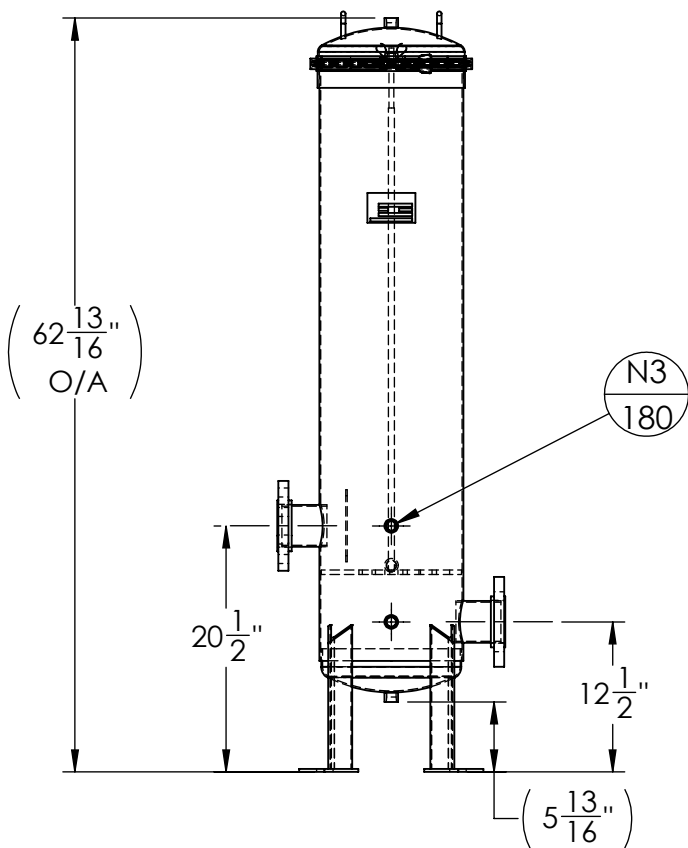


NOZZLE SCHEDULE			
MARK	QTY	SIZE / RATING	DESCRIPTION
N1	1	3"150# RFSO	INLET
N2	1	3"150# RFSO	OUTLET
N3	2	1/2" 3000# NPT	PRESS GA
N4	1	1/2" 3000# NPT	VENT
N5	1	1/2" 3000# NPT	CLEAN DRAIN
N6	1	1/2" 3000# NPT	DIRTY DRAIN

VESSEL DESIGN CONDITIONS			
CODE: BEST COMMERCIAL PRACTICE			
M.A.W.P.:	150 PSI @ 250°F	M.D.M.T.:	-20° F @ 150 PSI
M.A.E.P.:	15 PSI @ 250°F		
CORROSION ALLOWANCE:	NONE	HYDROTEST PRESS:	195 PSI
STAMP:	NC	SERVICE:	NON LETHAL
PWHT:	N/A	RADIOGRAPHY:	N/A
MATERIAL:	SS-304/L	GASKET:	BUNA-N

NOTES:
 DRY WEIGHT: 210.21 #'s
 FLOODED WEIGHT: 420 #'s
 SHIPPING WEIGHT: 265 #'s
 VESSEL VOLUME: 3.27 C.F.



NOTES:
 VESSEL WILL HOUSE (QTY=12) 2.5" OD x 40" LG CARTRIDGES.

REV.	DATE	REVISION	DRAWN	APP'D
FIL-TREK CORPORATION CAMBRIDGE ONTARIO - CANADA www.fil-trek.com • Tel: 519.623.7448 • Fax: 519.623.8807				
EQUIPMENT: CARTRIDGE FILTER HOUSING (EF SERIES)				
MODEL NO: S4EF12-012-4-3F-VB				
CUSTOMER: STOCK				
PARENT: NONE	DRAWN: CR	DATE: DEC 29 2010	JOB No. V-5206	DWG. No. 002-0070
PAGE: 1 OF 5	CHK'D: JM	SCALE: NTS		REV. No. 0

NTS