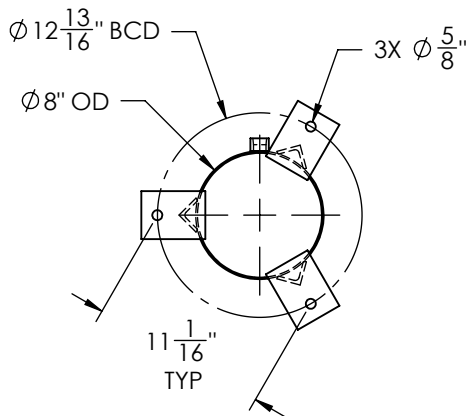
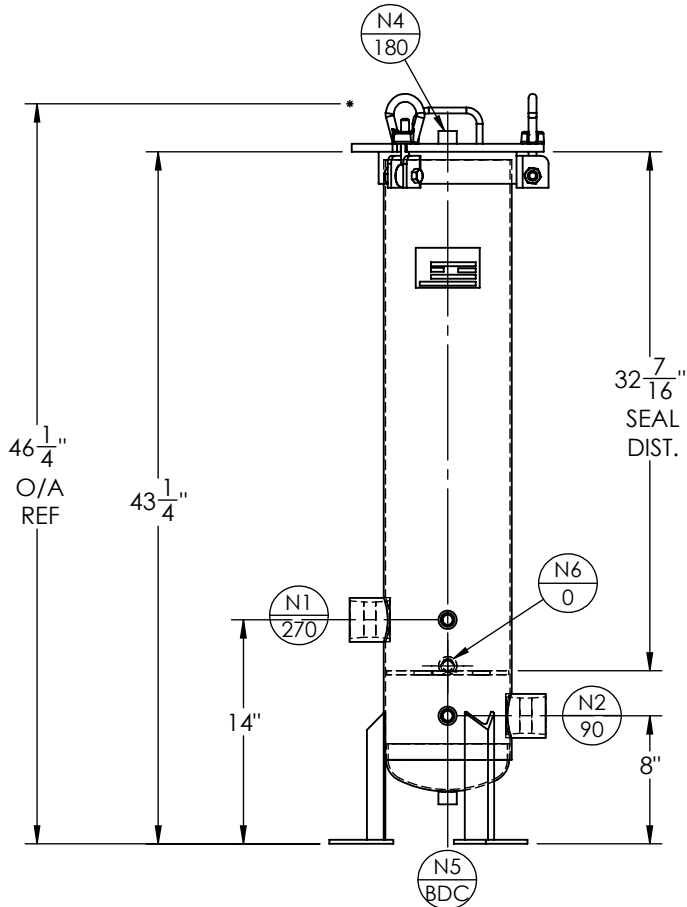


PLAN VIEW



FOOTPLATE LAYOUT

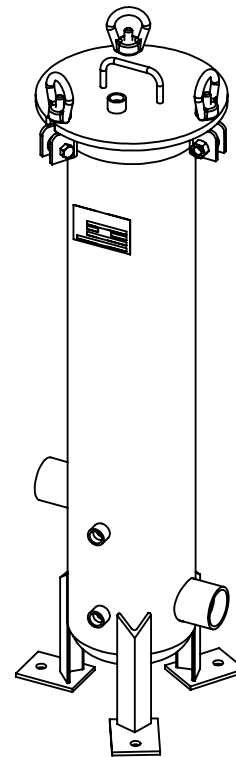
NOZZLE SCHEDULE

MARK	QTY	SIZE / RATING	DESCRIPTION
N1	1	2" 150# NPT	INLET
N2	1	2" 150# NPT	OUTLET
N3	2	1/2" 3000# NPT	PRESS GA
N4	1	1/2" 3000# NPT	VENT
N5	1	1/2" 3000# NPT	CLEAN DRAIN
N6	1	1/2" 3000# NPT	DIRTY DRAIN

VESSEL DESIGN CONDITIONS

CODE: BEST COMMERCIAL PRACTICE			
M.A.W.P.:	150 PSI @ 250°F	M.D.M.T.:	-20° F @ 150 PSI
M.A.E.P.:	15 PSI @ 250°F		
CORROSION ALLOWANCE:	NONE	HYDROTEST PRESS:	195 PSI
STAMP:	N/A	SERVICE:	NON LETHAL
PWHT:	N/A	RADIOGRAPHY:	N/A
MATERIAL:	SA516 70	GASKET:	BUNA-N

DRY WEIGHT: 94.36 LBS.  
 FLOODED WEIGHT: 155 LBS.  
 SHIPPING WEIGHT: 140 LBS.  
 VESSEL VOLUME: 1.08 CU.FT.



NOTES:

- VESSEL WILL HOUSE (QTY=5) 2.5" OD x 30" LG CARTRIDGES.

REV.	DATE	REVISION	DRAWN APP'D		
 <b>FIL-TREK CORPORATION</b> CAMBRIDGE ONTARIO - CANADA www.fil-trek.com • Tel: 519.623.7448 • Fax: 519.623.8807					
THIS DRAWING IS THE PROPERTY OF FIL-TREK CORPORATION AND MUST NOT BE COPIED OR USED IN ANY WAY DETRIMENTAL TO THE CORPORATION					
EQUIPMENT:		CARTRIDGE FILTER HOUSING (EF SERIES)			
MODEL NO:		EF08-005-3-2P-SW			
CUSTOMER:		STOCK			
PARENT: NONE	DRAWN: CW	DATE: NOV 23 2010	JOB No.	DWG. No.	REV. No.
PAGE: 1 OF 4	CHK'D: JM	SCALE: NTS	V-5159	002-0027	0