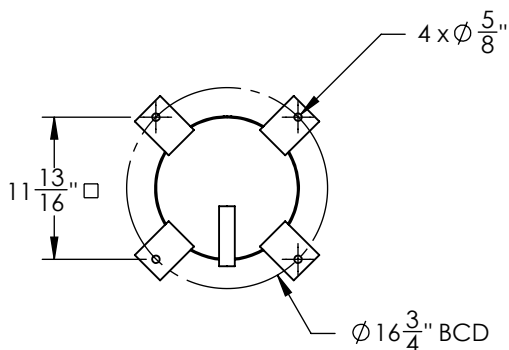
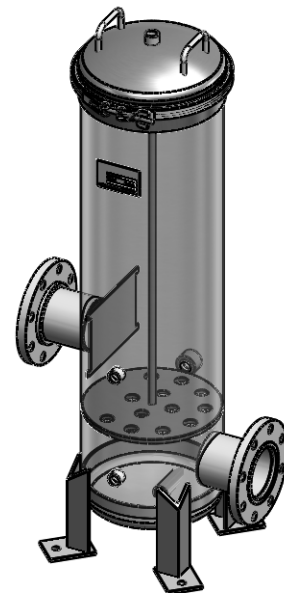
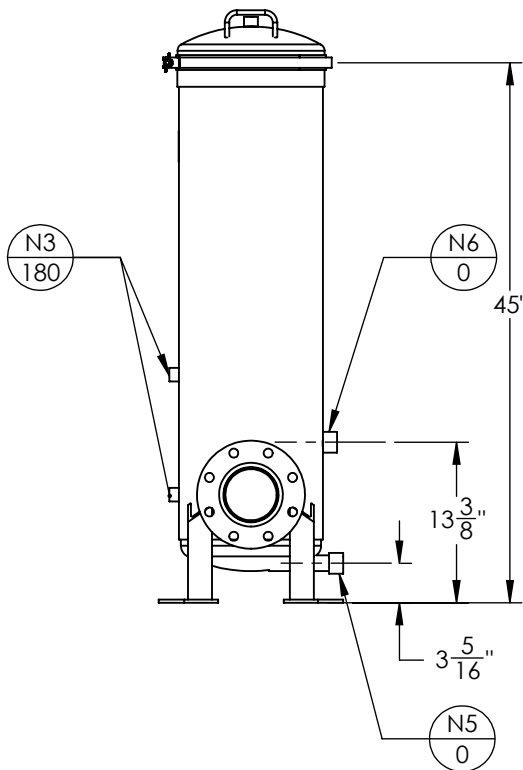
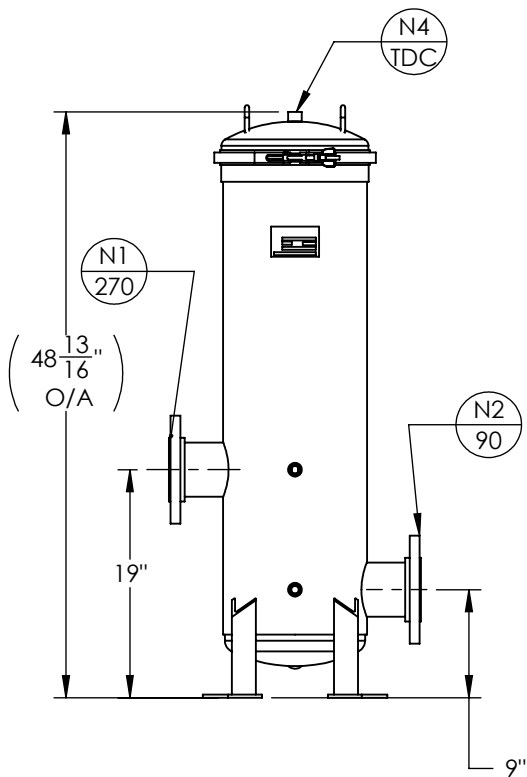


NOZZLE SCHEDULE			
MARK	QTY	SIZE/RATING	DESCRIPTION
N1	1	4" 150# RFSO	INLET
N2	1	4" 150# RFSO	OUTLET
N3	2	1/2" 3000# NPT	PRESS GA
N4	1	1/2" 3000# NPT	VENT
N5	1	1" 3000# NPT	CLEAN DRAIN
N6	1	1" 3000# NPT	DIRTY DRAIN

VESSEL DESIGN CONDITIONS	
CODE: BEST COMMERCIAL PRACTICE	
MAWP: 150 psi @ 250°F	MDMT: -20°F @ 150 psi
CORROSION ALLOWANCE: N/A	HYDROTEST PRESS: 150 psi
STAMP: N/A	SERVICE: NON LETHAL
PWHT: N/A	RADIOGRAPHY: N/A
MATERIAL: SS-304	GASKET: BUNA-N

DRY WEIGHT: 181.01 #'s
 FLOODED WEIGHT: 350 #'s
 SHIPPING WEIGHT: 235 #'s
 VESSEL VOLUME: 2.68 C.F.



NOTES:
 VESSEL WILL HOUSE (QTY=12) 2.5" OD x 30" LG CARTRIDGES.

REV.	DATE	REVISION	DRAWN	APP'D
 FIL-TREK CORPORATION CAMBRIDGE ONTARIO - CANADA www.fil-trek.com • Tel: 519.623.7448 • Fax: 519.623.8807				
TOLERANCES-UNLESS OTHERWISE NOTED				
DECIMAL .X ±.1" .XX ±.02" .XXX ±.005" FRACTIONAL $\frac{1}{32}$ ±.015" $\frac{1}{16}$ ±.010" $\frac{1}{8}$ ±.015" ANGULAR ±.1° MAX. MACHINED SURFACE FINISH 125 ✓				
THIS DRAWING IS THE PROPERTY OF FIL-TREK CORPORATION AND MUST NOT BE COPIED OR USED IN ANY WAY DETRIMENTAL TO THE CORPORATION				
EQUIPMENT:		CARTRIDGE FILTER HOUSING (EF SERIES)		
MODEL NO.:		S4EF12-012-3-4F-VB		
CUSTOMER:		FIL-TREK ALBERTA		
PARENT: NONE	DRAWN: MH	DATE: APR 07 2010	JOB No.	DWG. No.
PAGE: 1 OF 5	CHK'D: PT	SCALE: NTS	V-4762	R001795
				REV. No. 0