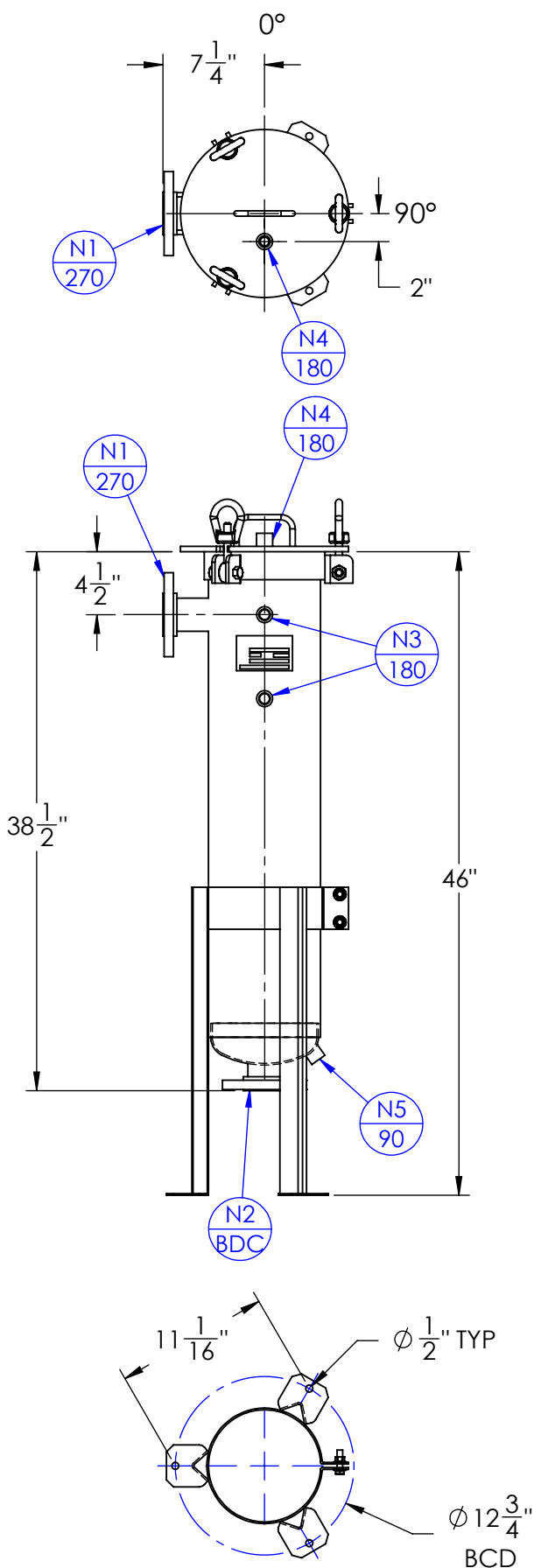
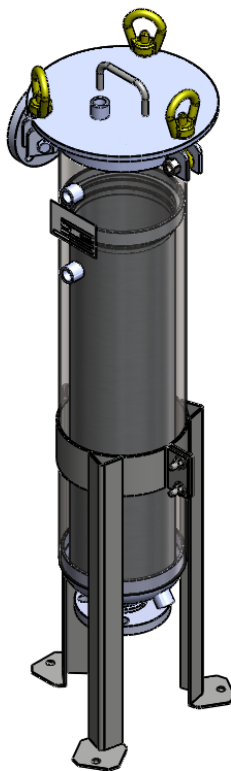


NOZZLE SCHEDULE			
MARK	QTY	SIZE/RATING	DESCRIPTION
N1	1	2" 150# RFSO	INLET
N2	1	2" 150# RFSO	OUTLET
N3	2	1/2" 3000# NPT	PRESS GA
N4	1	1/2" 3000# NPT	VENT
N5	1	1/2" 3000# NPT	CLEAN DRAIN
N6	-	-	DIRTY DRAIN

VESSEL DESIGN CONDITIONS	
CODE: BEST COMMERCIAL PRACTISE	
M.A.W.P.: 150 PSI @ 250° F	M.D.M.T.: -20° F @ 150 PSI
CORROSION ALLOWANCE: NONE	HYDROTEST PRESS: 150 PSI
STAMP: N/A	SERVICE: NON-LETHAL
PWHT: N/A	RADIOGRAPHY: NONE
MATERIAL: CS	GASKET: BUNA-N

DRY WEIGHT: 81.31 LBS.
 FLOODED WEIGHT: 145.35 LBS.
 SHIPPING WEIGHT: 103.27 LBS.
 VESSEL VOLUME: .99 FT³.



- NOTES:
- VESSEL WILL HOUSE (QTY=1) SIZE 2 BASKET.

REV.	DATE	REVISION	DRAWN	APP'D
FIL-TREK CORPORATION CAMBRIDGE ONTARIO - CANADA www.fil-trek.com • Tel: 519.623.7448 • Fax: 519.623.8807				
THIS DRAWING IS THE PROPERTY OF FIL-TREK CORPORATION AND MUST NOT BE COPIED OR USED IN ANY WAY DETRIMENTAL TO THE CORPORATION				
EQUIPMENT:		FILTER BASKET HOUSING		
MODEL NO.:		EB112-2F-SW		
CUSTOMER:		STOCK		
PARENT: NONE	DRAWN: AMS	DATE: DEC 10, 2009	JOB No. V-4617	DWG. No. 001-0115
PAGE: 1 OF 2	CHK'D: PT	SCALE: NTS		REV. No. 0