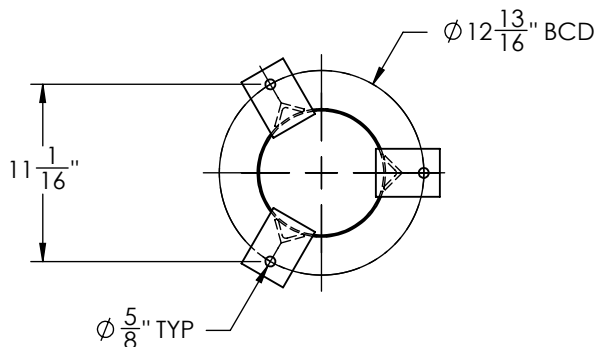
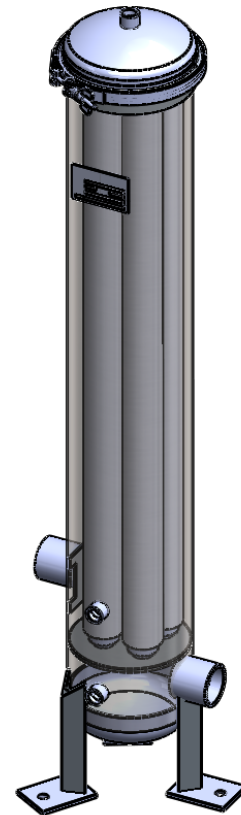
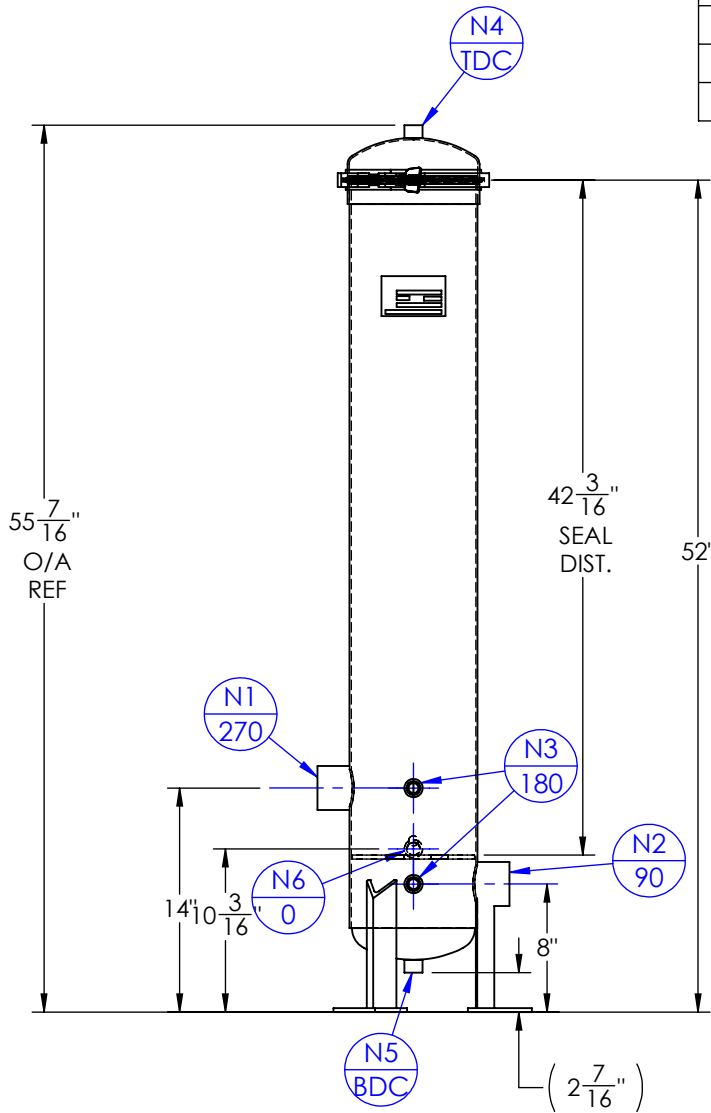


NOZZLE SCHEDULE			
MARK	QTY	SIZE/RATING	DESCRIPTION
N1	1	2" 150# NPT	INLET
N2	1	2" 150# NPT	OUTLET
N3	2	1/2" 3000# NPT	PRESS GA
N4	1	1/2" 3000# NPT	VENT
N5	1	1/2" 3000# NPT	CLEAN DRAIN
N6	1	1/2" 3000# NPT	DIRTY DRAIN

VESSEL DESIGN CONDITIONS	
CODE: BEST COMMERCIAL PRACTICE	
MAWP: 150 psi @ 250°F	MDMT: -20°F @ 150 psi
CORROSION ALLOWANCE: N/A	HYDROTEST PRESS: 150 psi
STAMP: N/A	SERVICE: NON LETHAL
PWHT: N/A	RADIOGRAPHY: N/A
MATERIAL: SS-316	GASKET: BUNA-N

DRY WEIGHT: 89.57 #'s
 FLOODED WEIGHT: 185 #'s
 SHIPPING WEIGHT: 150 #'s
 VESSEL VOLUME: 1.37 C.F.



NOTES:

- VESSEL WILL HOUSE (QTY=4) 2.5" OD x 40" LG CARTRIDGES.

REV.	DATE	REVISION	DRAWN	APP'D
 FIL-TREK CORPORATION CAMBRIDGE ONTARIO - CANADA www.fil-trek.com • Tel: 519.623.7448 • Fax: 519.623.8807				
THIS DRAWING IS THE PROPERTY OF FIL-TREK CORPORATION AND MUST NOT BE COPIED OR USED IN ANY WAY DETRIMENTAL TO THE CORPORATION				
EQUIPMENT:		CARTRIDGE FILTER HOUSING (EF SERIES)		
MODEL NO:		S6EF08-004-4-2P-VB		
CUSTOMER:		FIL-TREK STOCK		
PARENT: NONE	DRAWN: MH	DATE: SEPT 29 2010	JOB No. V-5065	DWG. No. 002-0020
PAGE: 1 OF 4	CHK'D: PT	SCALE: NTS		REV. No. 0