

NOZZLE SCHEDULE

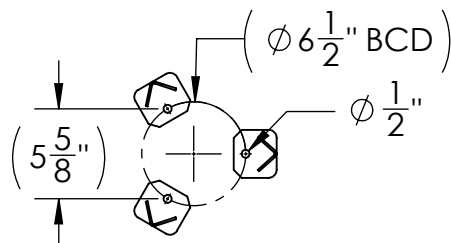
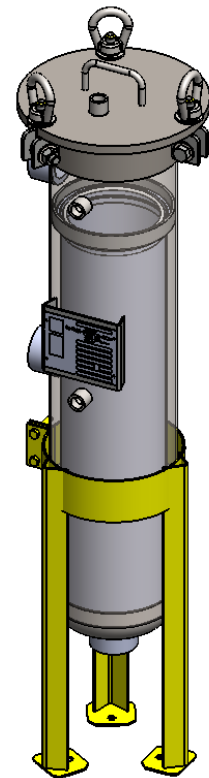
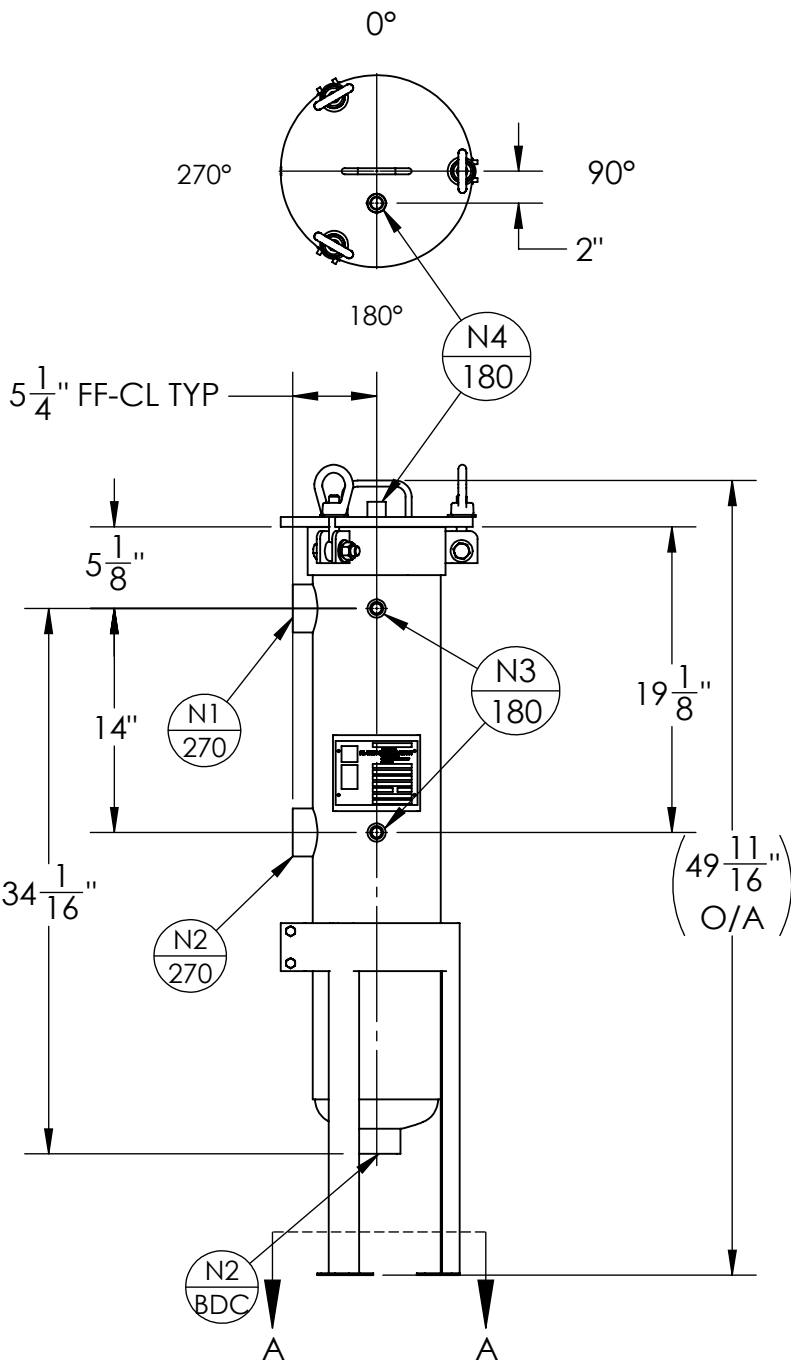
MARK	QTY	SIZE / RATING	DESCRIPTION
N1	1	2" 3000# NPT	INLET
N2	2	2" 3000# NPT	OUTLET
N3	2	1/2" 3000# NPT	PRESSURE GAUGE
N4	1	1/2" 3000# NPT	VENT
N5	1	-	CLEAN DRAIN
N6	1	-	DIRTY DRAIN

VESSEL DESIGN CONDITIONS

CODE: ASME SEC. VIII, DIV. 1, 2013 EDITION			
M.A.W.P.:	150 PSI @ 250°F	M.D.M.T.:	-20° F @ 150 PSI
M.A.E.P.:	15 PSI @ 250°F		
CORROSION ALLOWANCE:	N/A	HYDROTEST PRESS:	195 PSI
STAMP:	UM	SERVICE:	NON LETHAL
PWHT:	N/A	RADIOGRAPHY:	N/A
MATERIAL:	CS	GASKET:	BUNA-N

NOTES:

1. VESSEL WILL HOUSE (QTY=1) DOUBLE LENGTH BASKET.
2. DRY WEIGHT: 96 LBS
3. FLOODED WEIGHT: 149 LBS
4. SHIPPING WEIGHT: 100 LBS
5. VESSEL VOLUME: 1 CU.FT. FT³



SECTION A-A
SCALE 1 : 12

<p>THIRD ANGLE PROJECTION</p> <p>TOLERANCES-UNLESS OTHERWISE NOTED</p> <p>DECIMAL .X = ±.1" .XX = ±.02" .XXX = ±.005"</p> <p>FRACTIONAL = ±1/8"</p> <p>ANGULAR = ± 1°</p> <p>MAX. MACHINED SURFACE FINISH 125/√</p>	<p>FIL-TREK CORPORATION</p> <p>55 Stafford Court Cambridge, Ontario N1T 2B3 Canada</p> <p>Phone: (519) 623-7448 Fax: (519) 623-8807 Email: info@fil-trek.com Website: www.fil-trek.com</p>				
	<p>THIS DRAWING IS THE PROPERTY OF 'FIL-TREK CORPORATION' AND MUST NOT BE COPIED OR USED IN ANY WAY DETRIMENTAL TO THE CORPORATION</p> <p>EQUIPMENT: BAG FILTER HOUSING (SL SERIES)</p> <p>MODEL NO: SL112-2P-SW-CD</p> <p>CUSTOMER: STOCK</p>				
PARENT: NONE	DRAWN: CR	DATE: 25/05/2015	JOB No. S8127	DWG. No. 002002-00003-1	REV. No. 0